



# Valton™ Comfort Height®

Two-piece elongated 1.6 gpf chair height toilet  
402416-RA

## Features

- Two-piece design.
- Elongated bowl offers added room and comfort.
- Comfort Height® feature offers chair-height seating that makes sitting down and standing up easier for most adults.
- 1.6 gpf (6.0 lpf)
- Color-matched right-hand white trip lever included.
- 2" (51 mm) fully glazed trapway.
- Combination consists of the 403379 bowl and 404562-RA tank.

## Technology

- Pro Force® Plus flushing technology delivers greater flushing power than previous Pro Force® models.

## Installation

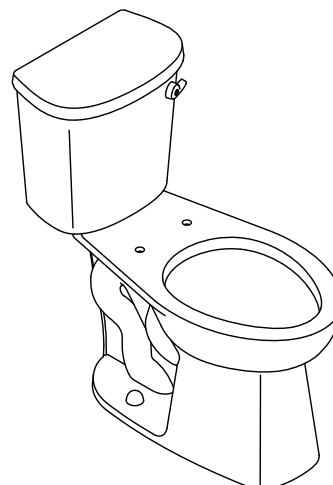
- Standard 12" (305 mm) rough-in.
- Three-bolt quick-connect installation.
- Seat and supply line sold separately.

## Recommended Products/Accessories

- K-20110 Brevia™ Quiet-Close™ Elongated Toilet Seat
- K-4636 Cachet® Quiet-Close™ Elongated Toilet Seat
- K-5420 Low-Profile Bolt Caps
- K-23726 Drain treatment

## Included Components

- Product consists of:
- 403379 Elongated chair height toilet bowl
  - 404562-RA Toilet tank



ADA

CSA B651

OBC

## Codes/Standards

- ASME A112.19.2/CSA B45.1
- DOE - Energy Policy Act 1992
- ADA
- ICC/ANSI A117.1
- CSA B651
- OBC


## STERLING® Warranty - Toilets and Lavatories

See website for detailed warranty information.

## Available Colors/Finishes

*Color tiles intended for reference only.*

Color	Code	Description
-------	------	-------------

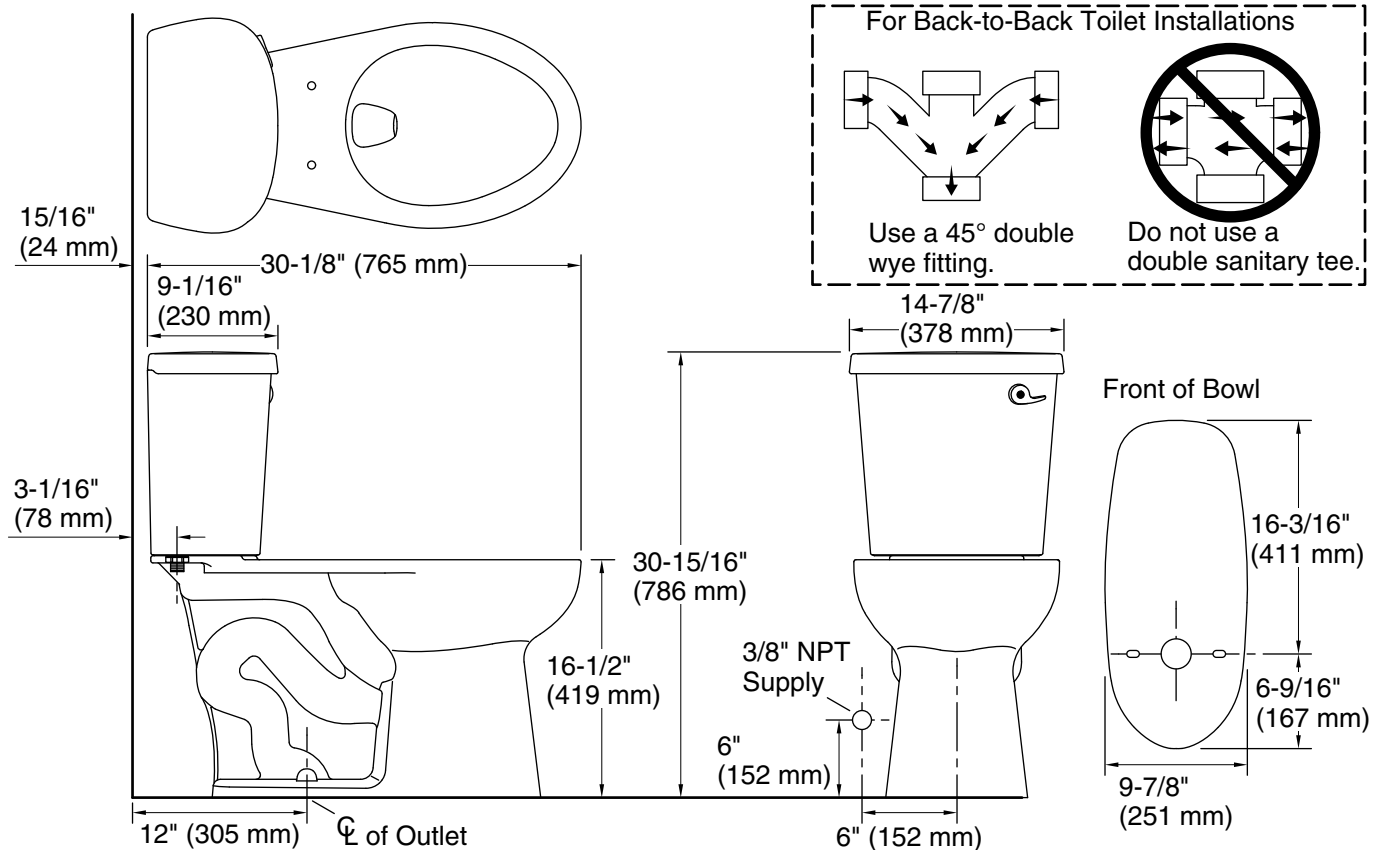
	0	White
---	---	-------



# Valton™ Comfort Height®

Two-piece elongated 1.6 gpf chair height toilet

## 402416-RA



### Technical Information

All product dimensions are nominal.

Toilet type:	Two-piece, Floor-mount
Waste Outlet:	Floor
Bowl shape:	Elongated
Flush type:	Gravity siphon jet
Water Consumption	
Full:	1.6 gpf (6 lpf)
Rough-in:	12" (305 mm)

### Fixture Supply Requirements

Min static pressure:	15 psi (103.4 kPa)
Max static pressure:	80 psi (551.6 kPa)

### Notes

Install this product according to the installation instructions.

For back-to-back toilet installations: Use only a 45° double wye fitting.

ADA, OBC, CSA B651 compliant when installed to the specific requirements of these regulations.

Plumbing codes may require elongated toilets and elongated, open-front seats in public bathrooms.

Accessibility standards may require controls to be located on the open side of the toilet.