



# Windham™ Comfort Height® elongated toilet 402322

## Features

- Two-piece design.
- Elongated bowl offers added room and comfort.
- Comfort Height® feature offers chair-height seating that makes sitting down and standing up easier for most adults.
- 1.28 gpf (4.8 lpf).
- Left-hand Polished Chrome trip lever.
- 2-1/8" (54 mm) fully glazed trapway.
- Combination consists of 403317 bowl and 402362 tank.

## Technology

- Pro Force® Plus flushing technology delivers greater flushing power than previous Pro Force® models.



## Installation

- Three-bolt quick-connect installation.
- Standard 12" (305 mm) rough-in.
- Seat and supply line sold separately.

## Recommended Products/Accessories

K-20110 Brevia™ Quiet-Close™ Elongated Toilet Seat  
K-4636 Cachet® Quiet-Close™ Elongated Toilet Seat  
K-9466-L Left-Hand Trip Lever  
K-5420 Low-Profile Bolt Caps  
K-23726 Drain treatment

## Included Components

Product consists of:

403317 Elongated chair height toilet bowl  
402362 Toilet tank

Additional Components:

Tank cover  
Tank hardware accessory pack  
Tank mounting pack  
Trip lever

ADA CSA B651 OBC



## Codes/Standards



ASME A112.19.2/CSA B45.1  
DOE - Energy Policy Act 1992  
EPA WaterSense®  
California Energy Commission (CEC)  
ADA  
ICC/ANSI A117.1  
CSA B651  
OBC

## STERLING® Warranty - Toilets and Lavatories

See website for detailed warranty information.

## Available Colors/Finishes

*Color tiles intended for reference only.*

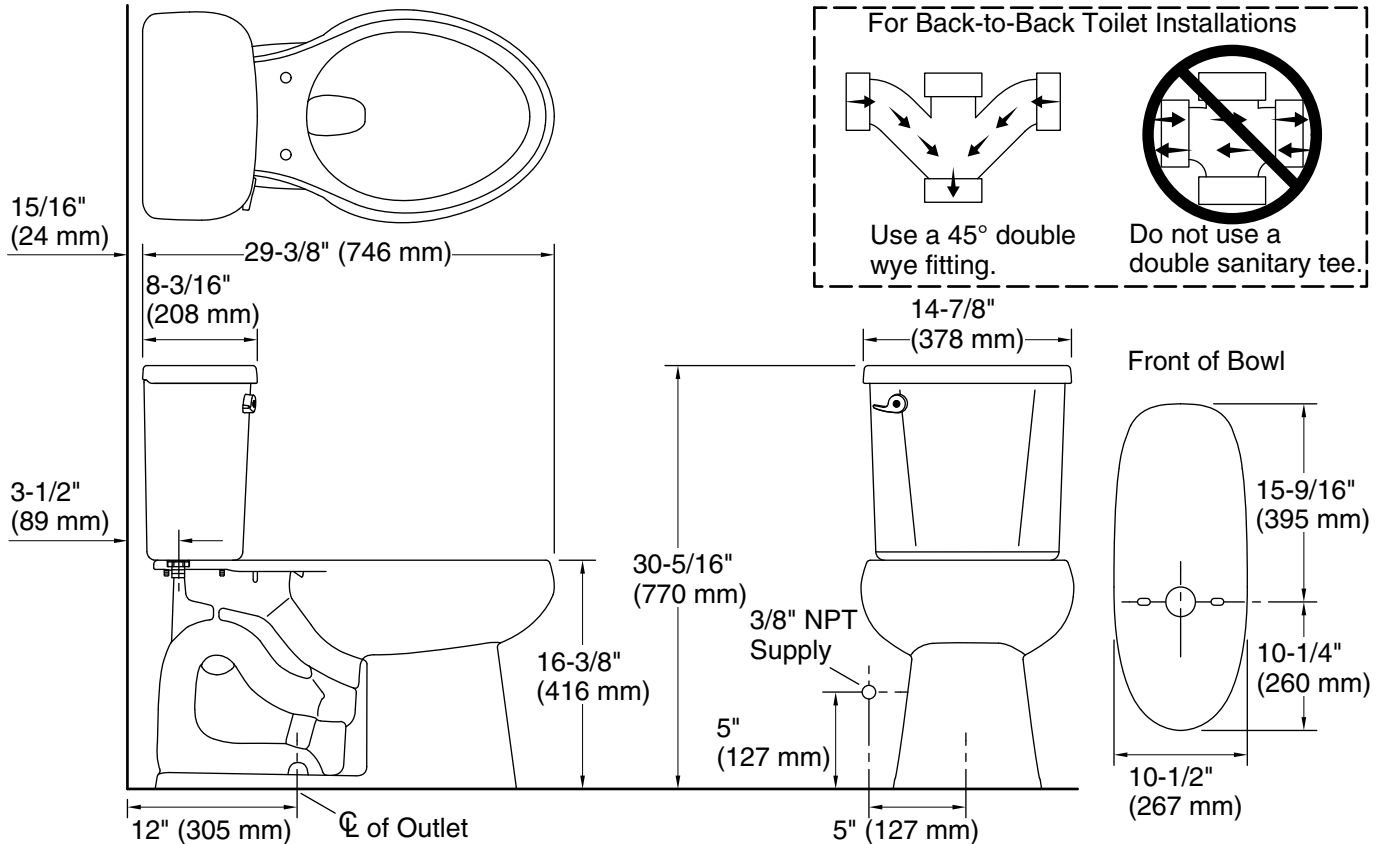
Color	Code	Description
	0	White
	96	KOHLER Biscuit

1-800-STERLING (1-800-783-7546)

Kohler Co. reserves the right to make revisions without notice to product specifications.

For the most current Specification Sheet, go to [www.sterlingplumbing.com](http://www.sterlingplumbing.com).

5-29-2021 19:04 - US/CA



**Technical Information**

All product dimensions are nominal.

Toilet type:	Two-piece, Floor-mount
Waste Outlet:	Floor
Bowl shape:	Elongated
Flush type:	Gravity siphon jet
Trap passageway:	2-1/8" (54 mm)
Water surface size:	9-1/2" x 7" (241 mm x 178 mm)
Rim to water surface:	6-1/2" (165 mm)
Rough-in:	12" (305 mm)
Seat-mounting holes:	5-1/2" (140 mm)

**Notes**

- Install this product according to the installation instructions.
- For back-to-back toilet installations: Use only a 45° double wye fitting.
- ADA, OBC, CSA B651 compliant when installed to the specific requirements of these regulations.
- Plumbing codes may require elongated toilets and elongated, open-front seats in public bathrooms.
- Accessibility standards may require controls to be located on the open side of the toilet.