



Valton™ Comfort Height®

Two-piece elongated 1.28 gpf chair height toilet
402313

Features

- Two-piece design.
- Elongated bowl offers added room and comfort.
- Comfort Height® feature offers chair-height seating that makes sitting down and standing up easier for most adults.
- 1.28 gpf (4.8 lpf).
- Color-matched left-hand white trip lever included.
- 2" (51 mm) fully glazed trapway.
- Combination consists of the 403379 bowl and 404501 tank.

Technology

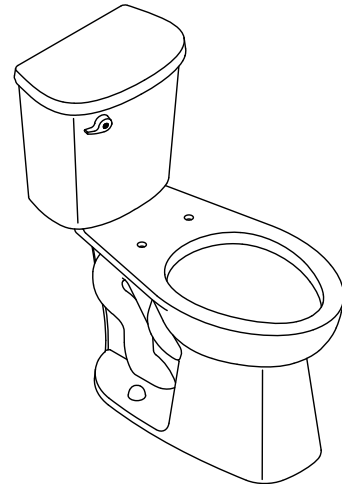
- Pro Force® Plus flushing technology delivers greater flushing power than previous Pro Force® models.

Installation

- Standard 12" (305 mm) rough-in.
- Three-bolt quick-connect installation.
- Seat and supply line sold separately.

Recommended Products/Accessories

K-20110 Brevia™ Quiet-Close™ Elongated Toilet Seat
K-4636 Cachet® Quiet-Close™ Elongated Toilet Seat
K-5420 Low-Profile Bolt Caps
K-23726 Drain treatment



ADA CSA B651 OBC

Codes/Standards

ASME A112.19.2/CSA B45.1
DOE - Energy Policy Act 1992
EPA WaterSense®
California Energy Commission (CEC)
ADA
ICC/ANSI A117.1
CSA B651
OBC

STERLING® Warranty - Toilets and Lavatories

See website for detailed warranty information.

Available Colors/Finishes

Color tiles intended for reference only.

Color Code Description

■ 0 White

1-800-STERLING (1-800-783-7546)

Kohler Co. reserves the right to make revisions without notice to product specifications.

For the most current Specification Sheet, go to www.sterlingplumbing.com.

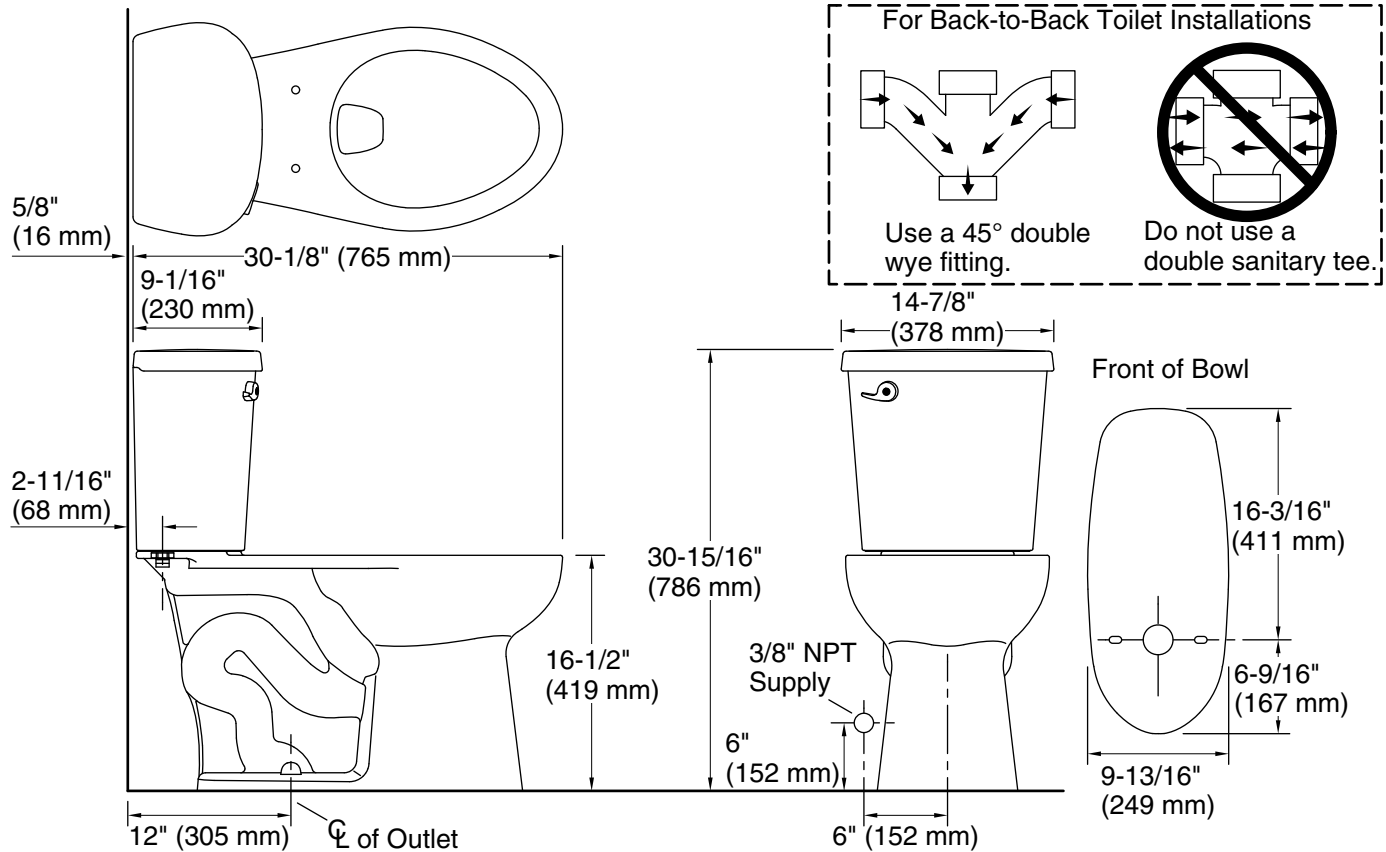
5-29-2021 06:36 - US/CA



Valton™ Comfort Height®

Two-piece elongated 1.28 gpf chair height toilet

402313



Technical Information

All product dimensions are nominal.

Toilet type:	Two-piece, Floor-mount
Waste Outlet:	Floor
Bowl shape:	Elongated
Flush type:	Gravity siphon jet
Water Consumption	
Full:	1.28 gpf (4.8 lpf)
Rough-in:	12" (305 mm)

Fixture Supply Requirements

Min static pressure:	15 psi (103.4 kPa)
Max static pressure:	80 psi (551.6 kPa)

Notes

Install this product according to the installation instructions.

For back-to-back toilet installations: Use only a 45° double wye fitting.

ADA, OBC, CSA B651 compliant when installed to the specific requirements of these regulations.

Plumbing codes may require elongated toilets and elongated, open-front seats in public bathrooms.

Accessibility standards may require controls to be located on the open side of the toilet.