



Deluxe Framed Sliding Shower Door SP5965-46

Features

- Framed
- 1/8" glass
- Exterior towel bar
- Out-of-plumb adjustability
- Tempered glass ensures maximum safety and durability
- Anodized aluminum prevents rusting and corrosion
- Fits the STERLING® Advantage™ 48" shower only, Series 6203

Installation

- Not for use in hospitality.
- For residential use only.

Recommended Products/Accessories

62030100 48" Seated Shower

Included Components

Additional Components:
Hardware kit



Codes/Standards

ANSI Z97.1
CPSC 16CFR 1201

STERLING® Warranty - Bath and Shower Doors

See website for detailed warranty information.

Available Colors/Finishes

Color tiles intended for reference only.

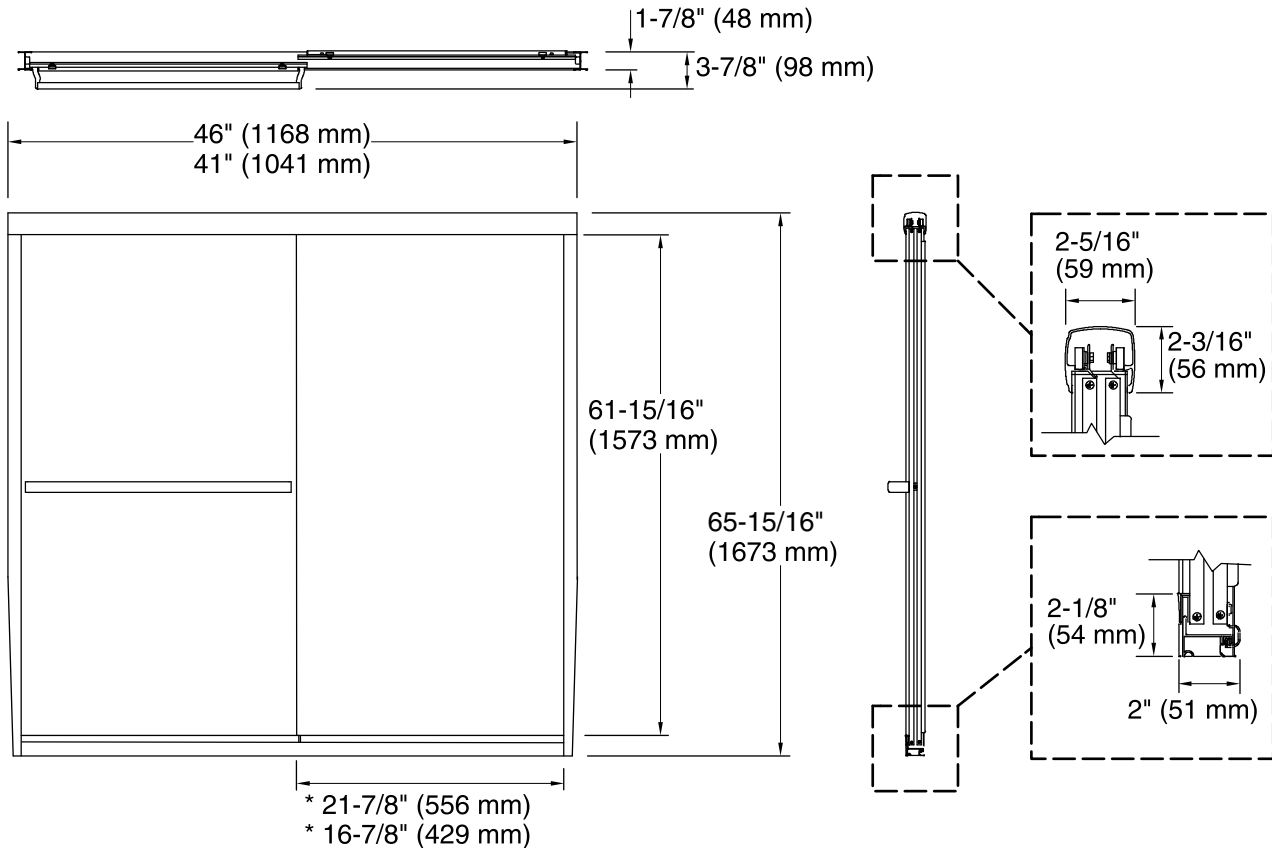
Color	Code	Description
-------	------	-------------

	S	
--	---	--

Available Glass Options

Code	Description
------	-------------

	Rain
--	------



Technical Information

All product dimensions are nominal.
 Installation type: For shower base installation
 Opening Width - Min: 41" (1041 mm)
 Opening Width - Max: 46" (1168 mm)
 Walk-through - Min: 16-7/8" (429 mm)
 Walk-through - Max: 21-7/8" (556 mm)
 Glass thickness: 1/8" (3 mm)

Notes

Install this product according to the installation guide.
 The vertical opening should be a minimum of 67-7/16" (1713 mm) to allow for installation clearance.