

Features

- Frameless
- 1/4" glass
- CleanCoat technology
- Interior and exterior towel bars
- Out-of-plumb adjustability
- Tempered glass ensures maximum safety and durability
- Anodized aluminum prevents rusting and corrosion
- Fits the STERLING® Advantage™ 60" shower only, Series 6204

Installation

- Not for use in hospitality.
- For residential use only.

Recommended Products/Accessories

62040100 60" Seated Shower

Included Components

Additional Components:
Hardware kit



Codes/Standards

ANSI Z97.1
CPSC 16CFR 1201

STERLING® Warranty - Bath and Shower Doors

See website for detailed warranty information.

Available Colors/Finishes

Color tiles intended for reference only.

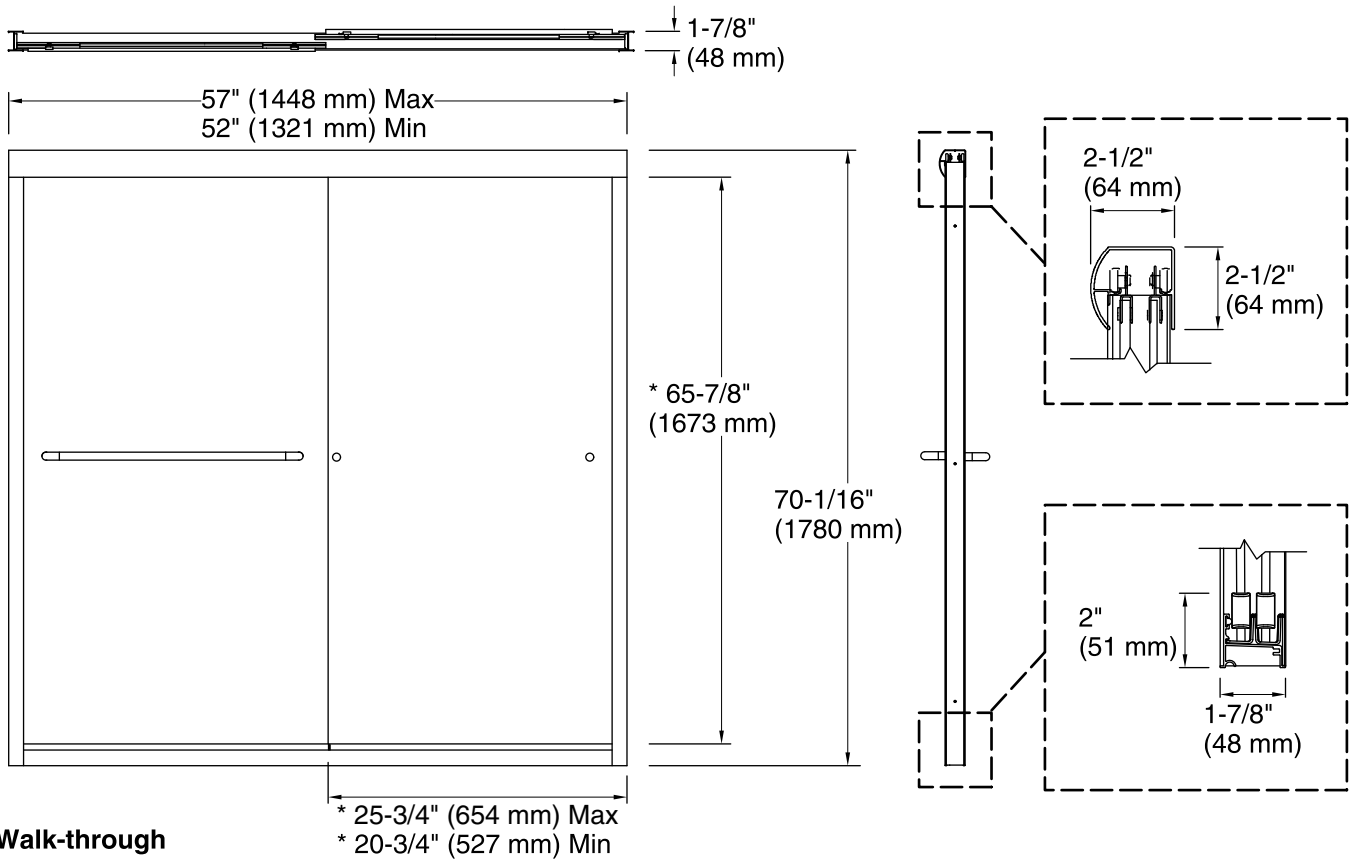
Color Code Description

DR
N
PB
S

Available Glass Options

Code Description

Clear



Technical Information

All product dimensions are nominal.

Installation type: For shower base installation

Opening Width - Min: 52" (1321 mm)

Opening Width - Max: 57" (1448 mm)

Walk-through - Min: 20-3/4" (527 mm)

Walk-through - Max: 25-3/4" (654 mm)

Glass thickness: 1/4" (6 mm)

Glass coating: CleanCoat®

Notes

Install this product according to the installation guide.

The vertical opening should be a minimum of 72-1/16" (1830 mm) to allow for installation clearance.