



# Finesse™

## Frameless Sliding Shower Door

### SP5465-45

#### Features

- Frameless
- 1/4" glass
- CleanCoat technology
- Interior and exterior towel bars
- Out-of-plumb adjustability
- Tempered glass ensures maximum safety and durability
- Anodized aluminum prevents rusting and corrosion
- Fits the STERLING® Advantage™ 48" shower only, Series 6203

#### Installation

- Not for use in hospitality.
- For residential use only.

#### Recommended Products/Accessories

62030100 48" Seated Shower

#### Included Components

Additional Components:  
Hardware kit



#### Codes/Standards

ANSI Z97.1  
CPSC 16CFR 1201

#### STERLING® Warranty - Bath and Shower Doors

See website for detailed warranty information.

#### Available Colors/Finishes

*Color tiles intended for reference only.*

Color	Code	Description
-------	------	-------------

DR

N

PB

S

#### Available Glass Options

Code	Description
------	-------------

Clear

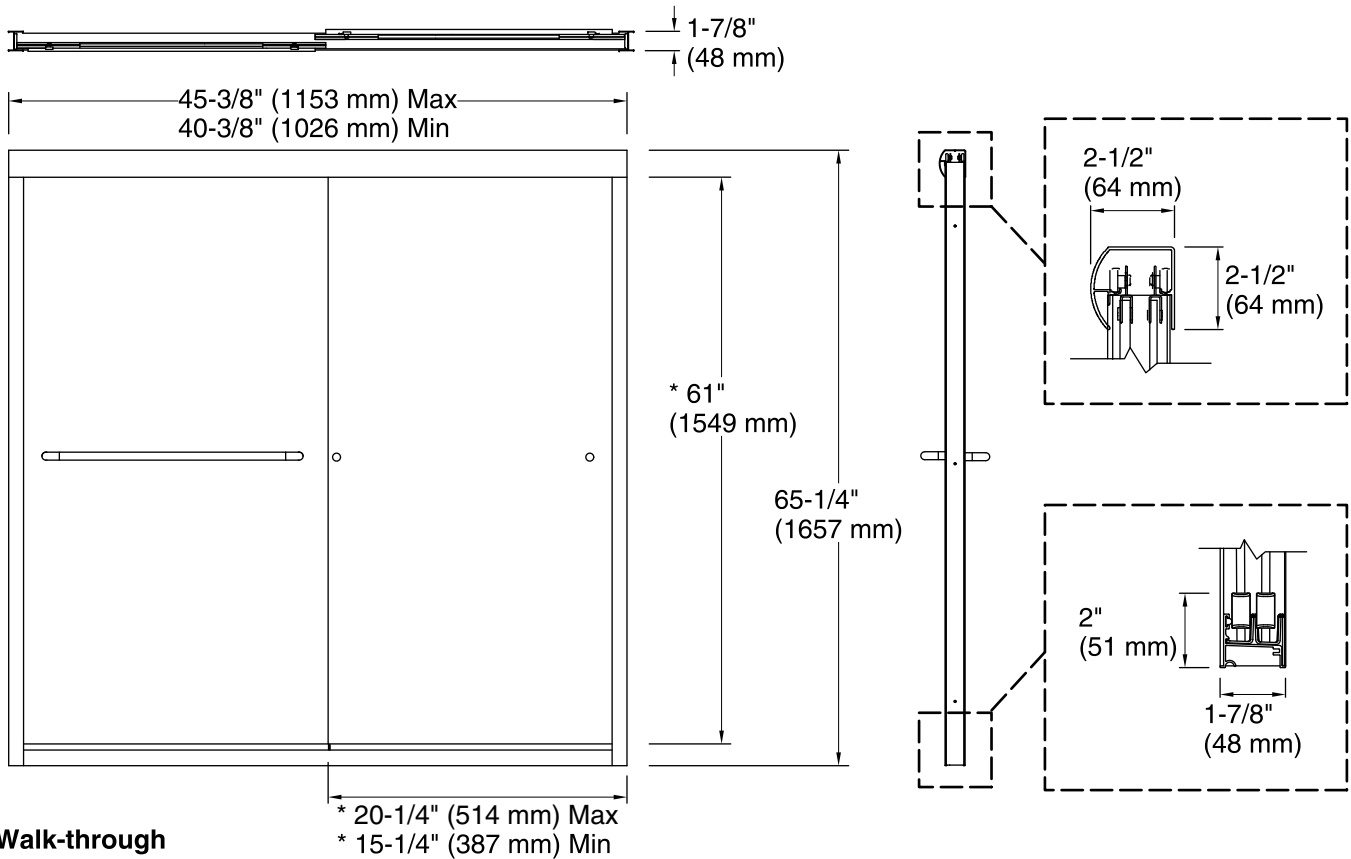
---

1-800-STERLING (1-800-783-7546)

Kohler Co. reserves the right to make revisions without notice to product specifications.

For the most current Specification Sheet, go to [www.sterlingplumbing.com](http://www.sterlingplumbing.com).

4-26-2019 04:33 - US/CA



**Technical Information**

All product dimensions are nominal.

Installation type: For shower base installation

Opening Width - Min: 40-3/8" (1026 mm)

Opening Width - Max: 45-3/8" (1153 mm)

Walk-through - Min: 15-1/4" (387 mm)

Walk-through - Max: 20-1/4" (514 mm)

Glass thickness: 1/4" (6 mm)

Glass coating: CleanCoat®

**Notes**

Install this product according to the installation guide.

The vertical opening should be a minimum of 67-1/4" (1708 mm) to allow for installation clearance.