



# Middleton®

Top-mount Kitchen Sink  
**F14707-4**

## Features

- Top-mount
- Four faucet holes
- 7"-deep double bowls
- 3-5/8" drain opening
- Stainless steel with durable satin finish
- SilentShield technology
- 21-gauge stainless steel
- Lifetime limited warranty

## Recommended Products/Accessories

11861 Sink Rack  
7400 Sink Strainer  
K-6139 Sponge Caddy



## Codes/Standards

ASME A112.19.3/CSA B45.4

## STERLING® Warranty - Stainless Steel Sinks

See website for detailed warranty information.

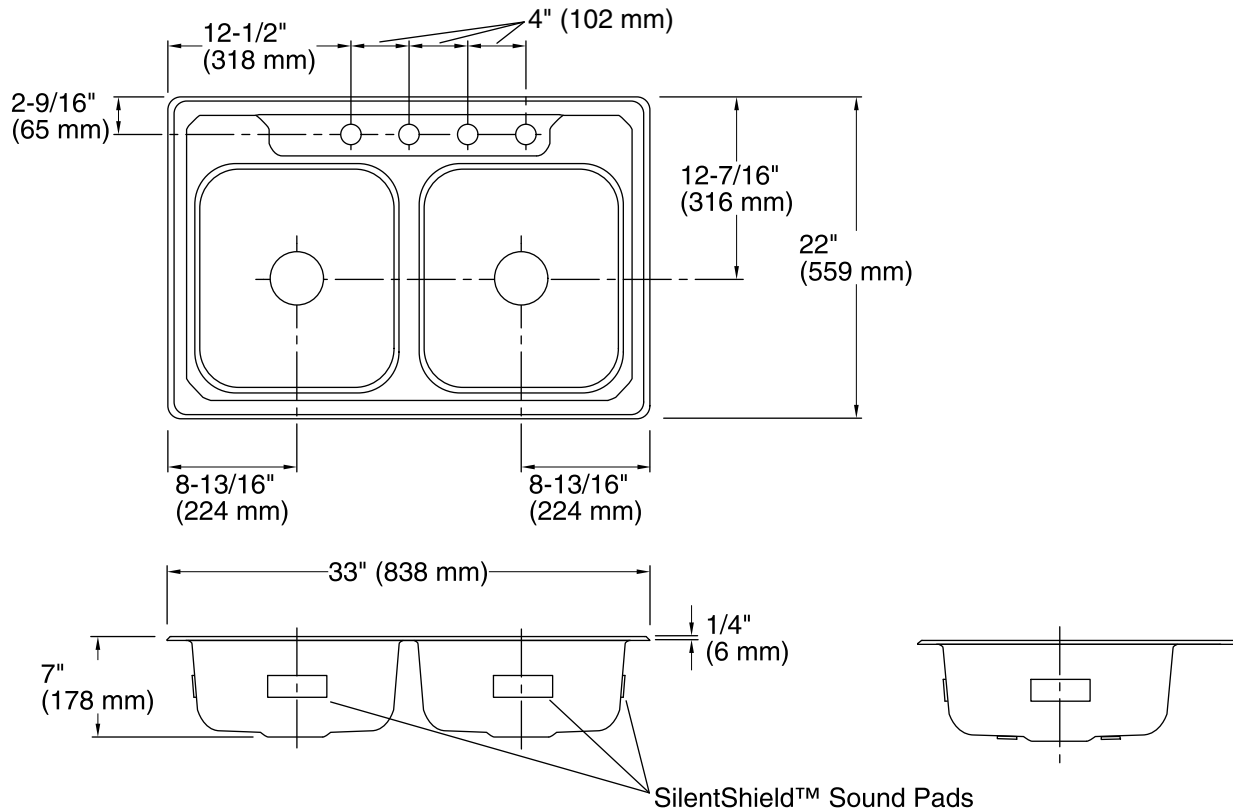
---

1-800-STERLING (1-800-783-7546)

Kohler Co. reserves the right to make revisions without notice to product specifications.

For the most current Specification Sheet, go to [www.sterlingplumbing.com](http://www.sterlingplumbing.com).

4-26-2019 03:53 - US



### Technical Information

All product dimensions are nominal.

Bowl configuration:	Double equal
Installation:	Top-mount
Cutout:	Top-mount, 32-1/2" x 21-1/2" (826 mm x 546 mm) with 1/2" (13 mm) radius corners
Min. base cabinet width:	36" (914 mm)
Bowl area (Left):	Length: 14" (356 mm) Width: 15-1/8" (384 mm) Bowl depth: 7" (178 mm) Water depth: 7" (178 mm)
Bowl area (Right):	Length: 14" (356 mm) Width: 15-1/8" (384 mm) Bowl depth: 7" (178 mm) Water depth: 7" (178 mm)
Number of deck holes:	4
Faucet hole spacing:	4" (102 mm)
Faucet hole(s):	1-7/16" (37 mm)
Drain hole:	3-5/8" (92 mm)

### Notes

Install this product according to the installation instructions.

Measure your actual product for roughing-in details.