



# Carthage®

## Under-Mount Kitchen Sink

### F11445

#### Features

- Under-mount
- No faucet holes to accommodate either wall-mount or countertop faucets
- 8-9/16"-deep double bowls
- 3-5/8" rear drain openings
- Stainless steel with luster finish
- SilentShield technology
- 18-gauge stainless steel
- Lifetime limited warranty



#### Recommended Products/Accessories

7400 Sink Strainer  
11861 Sink Rack  
K-6139 Sponge Caddy

#### Included Components

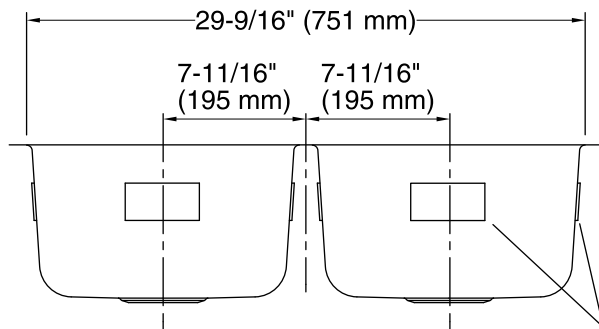
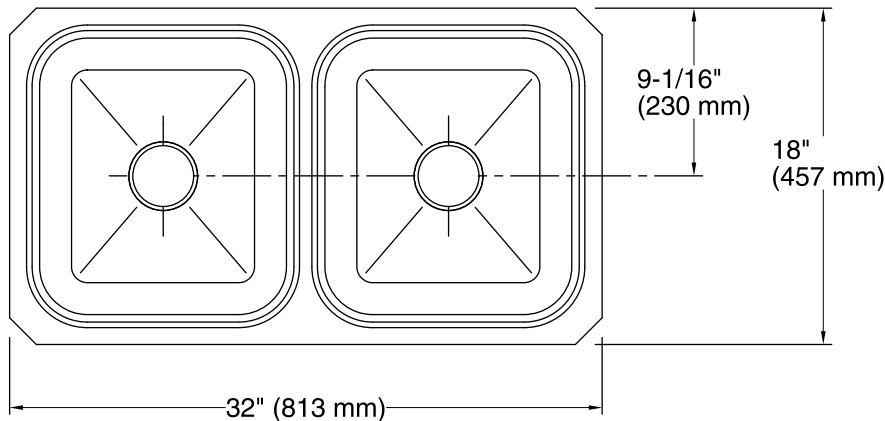
Product consists of:  
91915 Hardware Kit

#### Codes/Standards

ASME A112.19.3/CSA B45.4

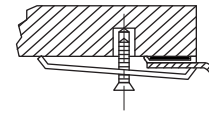
#### STERLING® Warranty - Stainless Steel Sinks

See website for detailed warranty information.

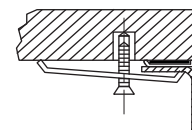


SilentShield™ Sound Pads

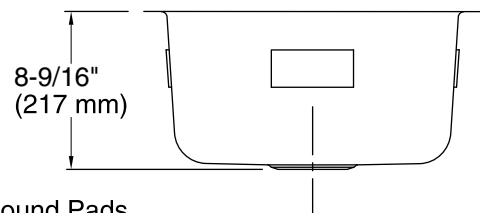
**Mounting bracket assembly provides a secure installation.**



Reveal



No Reveal



### Technical Information

All product dimensions are nominal.

Bowl configuration:	Double equal
Installation:	Under-mount
Min. base cabinet width:	36" (914 mm)
Bowl area (Left):	Length: 14-1/16" (357 mm) Width: 15-3/4" (400 mm) Bowl depth: 8-9/16" (218 mm) Water depth: 8-1/16" (205 mm)
Bowl area (Right):	Length: 14-1/16" (357 mm) Width: 15-3/4" (400 mm) Bowl depth: 8-9/16" (218 mm) Water depth: 8-9/16" (218 mm)
Drain hole:	3-5/8" (92 mm)
Template:	1315846-7, required, included

### Notes

Install this product according to the installation instructions.

Measure your actual product for roughing-in details.

Use the supplied cut-out template to select either a hidden or exposed rim.