



# Southaven®

## Top-mount Kitchen Sink

### F11401-4

#### Features

- Top-mount
- Four faucet holes
- 7"-deep double bowls
- 3-5/8" drain opening
- Stainless steel with durable satin finish
- SilentShield technology
- 20-gauge stainless steel
- Lifetime limited warranty

#### Recommended Products/Accessories

11861 Sink Rack  
7400 Sink Strainer  
K-6139 Sponge Caddy

#### Included Components

Product consists of:  
1150001 Installation Clips

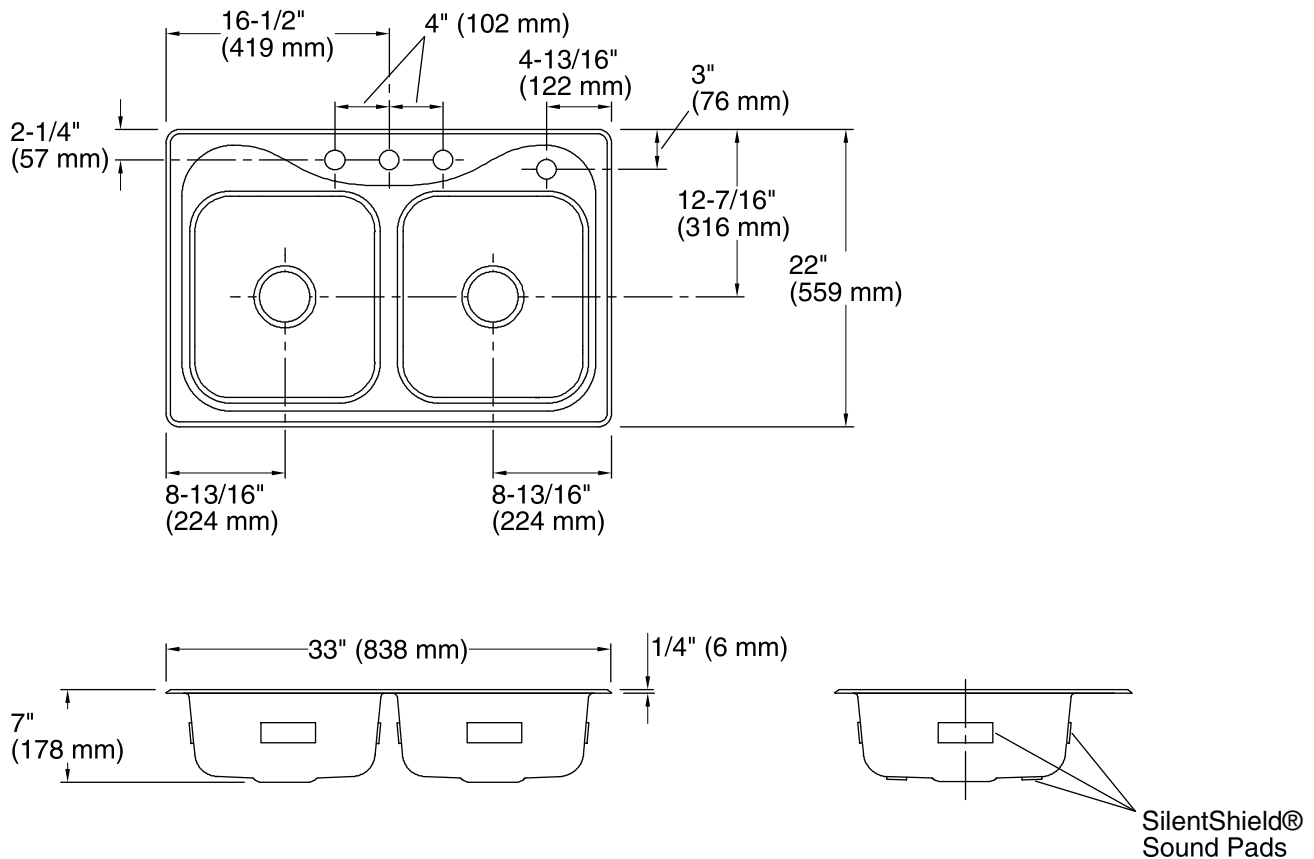


#### Codes/Standards

ASME A112.19.3/CSA B45.4

#### STERLING® Warranty - Stainless Steel Sinks

See website for detailed warranty information.



### Technical Information

All product dimensions are nominal.

Bowl configuration: Double equal

Installation: Top-mount

Cutout: Top-mount, 32-1/2" x 21-1/2" (826 mm x 546 mm) with 1/2" (13 mm) radius corners

Min. base cabinet width: 36" (914 mm)

Bowl area (Left):  
Length: 14" (356 mm)  
Width: 15-1/8" (384 mm)  
Bowl depth: 7" (178 mm)  
Water depth: 7" (178 mm)

Bowl area (Right):  
Length: 14" (356 mm)  
Width: 15-1/8" (384 mm)  
Bowl depth: 7" (178 mm)  
Water depth: 7" (178 mm)

Number of deck holes: 4

Faucet hole spacing: 4" (102 mm)

Faucet hole(s): 1-7/16" (37 mm)

Drain hole: 3-5/8" (92 mm)

Template: 1032929-7, not required, not included

### Notes

Install this product according to the installation instructions.

Measure your actual product for roughing-in details.