



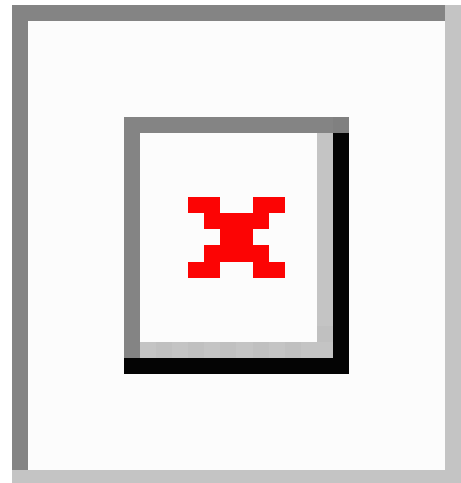
Lawson™
5' Whirlpool Bath
77281100P

•
•

Recommended Accessories

76268100 Apron with Access Panel

71287100 Tile-in Flange Kit for 60" Models



Codes/Standards

ASME A112.19.7/CSA B45.10

CSA B45.5/IAPMO Z124

ASTM E162

ASTM E662

UL 1795

CSA 22.2 No. 218.2

Greenguard UL 2818 - Gold

STERLING® Warranty - Fixtures Made of Solid Vikrell Material

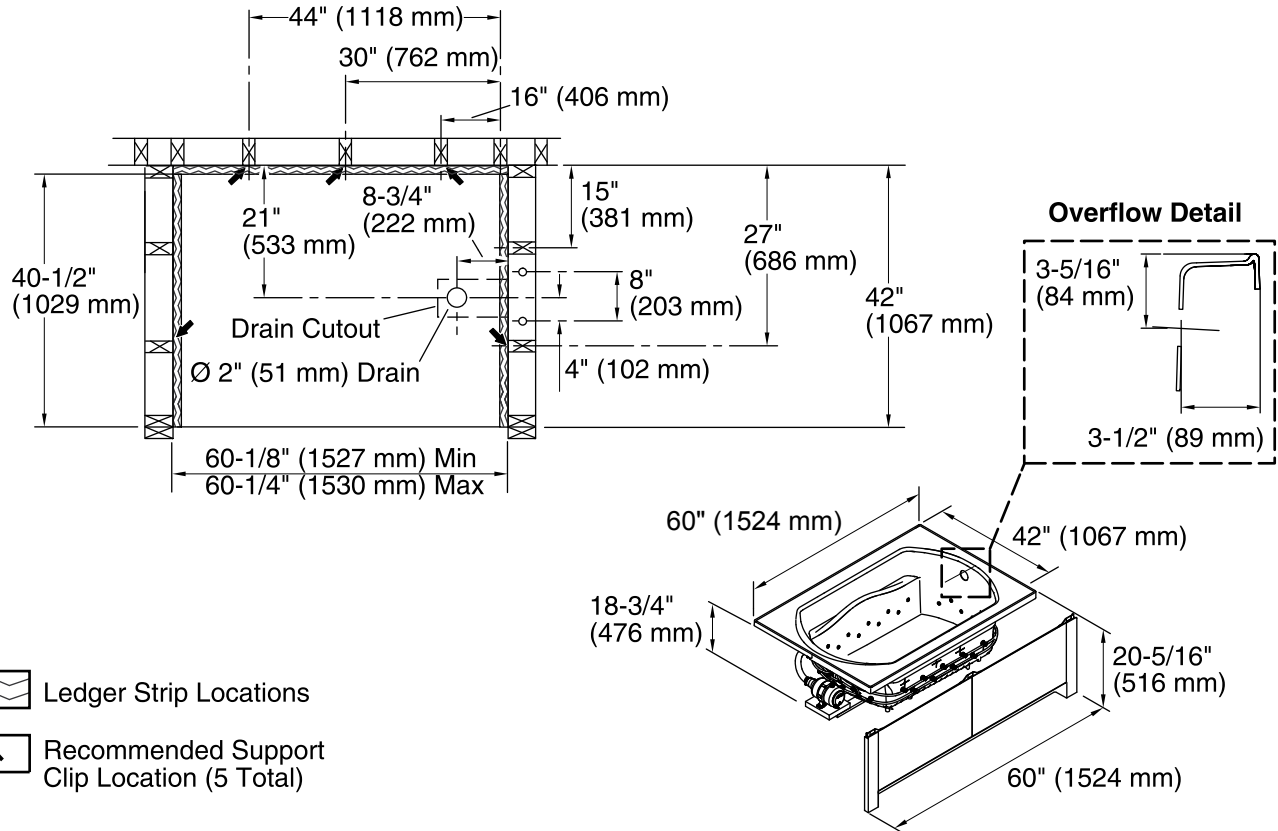
See website for detailed warranty information.

USA/Canada: 1-800-STERLING (1-800-783-7546)

Kohler Co. reserves the right to make revisions without notice to product specifications.

For the most current Specification Sheet, go to www.sterlingplumbing.com.

7-18-2016 01:29



Ledger Strip Locations



Recommended Support Clip Location (5 Total)

Required Electrical Service

One dedicated circuit required, protected with Class A Ground-Fault Circuit-Interrupter (GFCI) or Residual Current Device (RCD).

Blower, Heater: 120 V, 15 A, 60 Hz

Technical Information

All product dimensions are nominal.

Installation: Drop-in

Drain location: End

Basin area, bottom: 44" x 25-3/4" (1118 mm x 654 mm)

Basin area, top: 51" x 32-3/4" (1295 mm x 832 mm)

Water depth: 15-1/4" (387 mm)

Water capacity: 68 gal (257.4 L)

Electrical component rating: Blower: 120 V, 9.2 A, 60 Hz

Heater: 300 W

Minimum flat for door: 3" (76 mm)

Notes

Install this product according to the installation instructions.

End stud positioning is critical if nailing-in flanges are to be used.

Blower is supplied with lead wires routed into an electrical box.

Provide electrical service by making connections in the supplied box.

Blower service access is required.

Size the drain cutout to fit the drain assembly that will be used.

Studs should be positioned roughly as shown for support clip or roofing nail installation.