



Lawson® 42" Whirlpool Bath 76281110

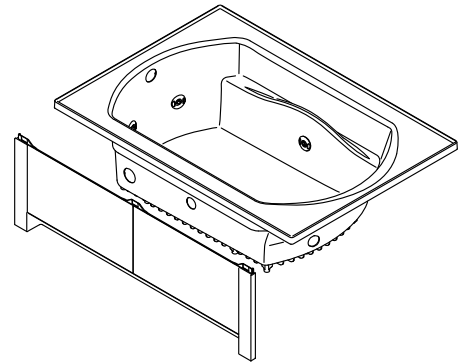


Features

- Drop-in or three-wall alcove installation
- 15-1/4" soaking depth
- Solid Vikrell material
- Left drain
- Contoured backrest and lumbar support; arched armrests; six jets with independent, variable control

Recommended Accessories

- 71287100 Tile-in Flange Kit for 60" Models
- 76268100 Apron with Access Panel
- 71268100 Standard Bath Apron

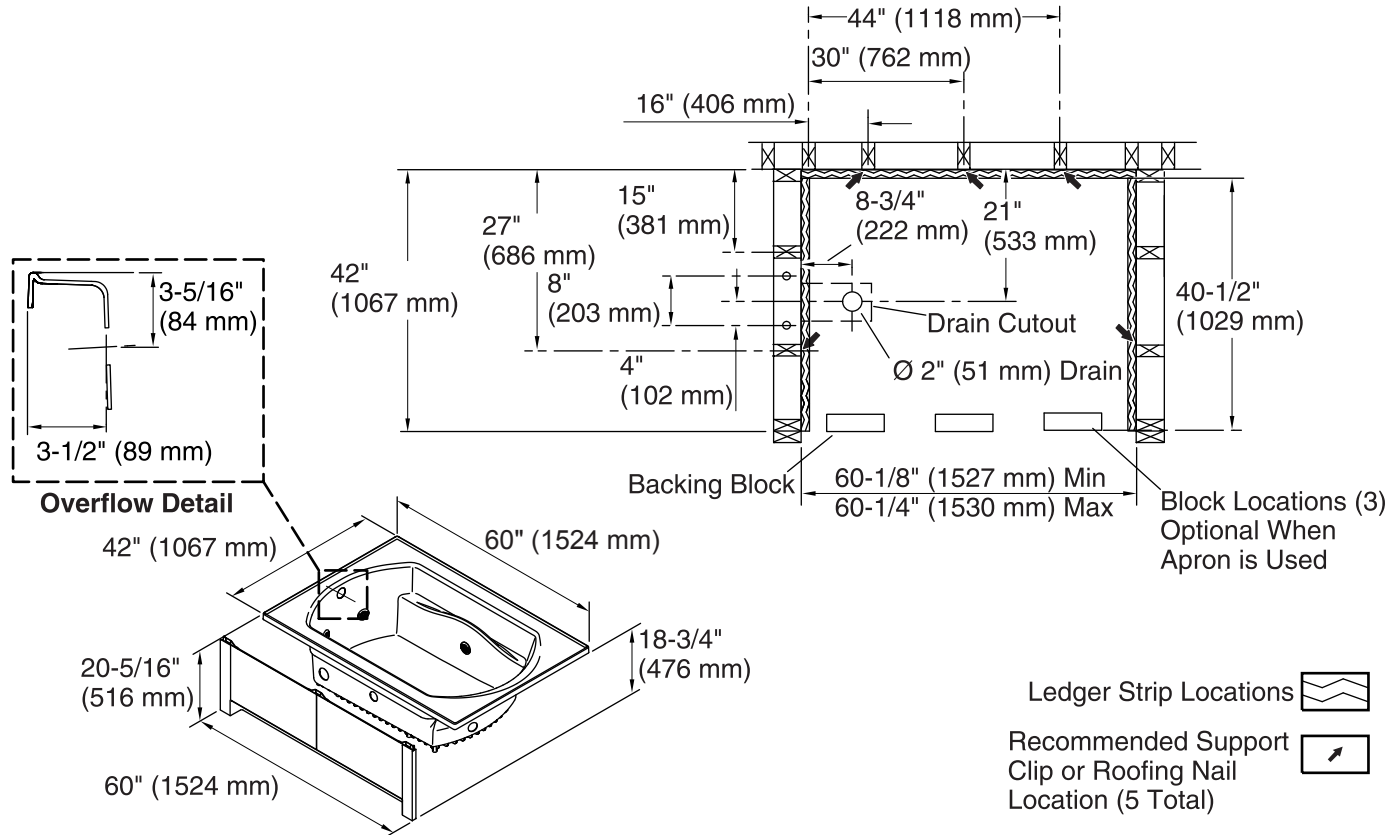


Codes/Standards

- ASME A112.19.7/CSA B45.10
- CSA B45.5/IAPMO Z124
- ASTM E162
- ASTM E662
- UL 1795
- Greenguard UL 2818 - Gold

Warranty – Bathing Fixtures (and) Kitchen and Utility Sinks Made of Solid Vikrell® Material

See website for detailed warranty information.



Required Electrical Service

One circuit required, protected with Class A Ground-Fault Circuit-Interrupter (GFCI) or Residual Current Device (RCD).

Pump: 120 V, 15 A, 60 Hz

Technical Information

All product dimensions are nominal.

Installation: Drop-in, 3-Wall Alcove
 Drain location: Left
 Basin area, bottom: 44" x 25-3/4" (1118 mm x 654 mm)
 Basin area, top: 51" x 32-3/4" (1295 mm x 832 mm)
 Water depth: 15-1/4" (387 mm)
 Water capacity: 68 gal (257.4 L)
 Electrical component rating: Pump: 120 V, 7 A, 60 Hz
 Pump speed: Single
 Minimum flat for door: 3" (76 mm)

Notes

Install this product according to the installation instructions.

Provide one grounded electrical outlet within 24" (610 mm) of each component.

Measure your actual product for roughing-in details.

Pump service access is required.

Pump is supplied with 24" (610 mm) grounding-type plug-in cord.

Locate the outlet behind the whirlpool, and within 24" (610 mm) of the pump.

Size the drain cutout to fit the drain assembly.

Stud positioning is critical if nailing-in flanges are to be used.

Studs should be positioned roughly as shown for support clip or roofing nail installation.