



Features

- Left drain.
- Durable high-gloss finish.
- 60-1/4" (1530 mm) x 42" (1067 mm) x 20-5/16" (516 mm) unit rough-in dimensions include nailing flange.
- 60" (1524 mm) x 42" (1067 mm) x 20-5/16" (516 mm) complete unit finished dimensions.

Material

- Compression-molded from our exclusive solid Vikrell® material.

Hydrotherapy

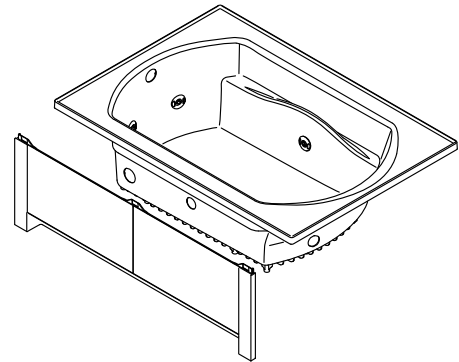
- Pump with air switch and grounding-type plug-in cord.
- Six fully-adjustable hydro-massage jets (color-matched and factory-installed).
- Includes heater.

Installation

- Drop-in or alcove installation.

Recommended Accessories

- 76268100 Apron with Access Panel
- 71287100 Tile-in Flange Kit for 60" Models
- 71268100 Standard Bath Apron



Codes/Standards



- ASME A112.19.7/CSA B45.10
- CSA B45.5/IAPMO Z124
- ASTM E162
- ASTM E662
- UL 1795
- Greenguard UL 2818 - Gold

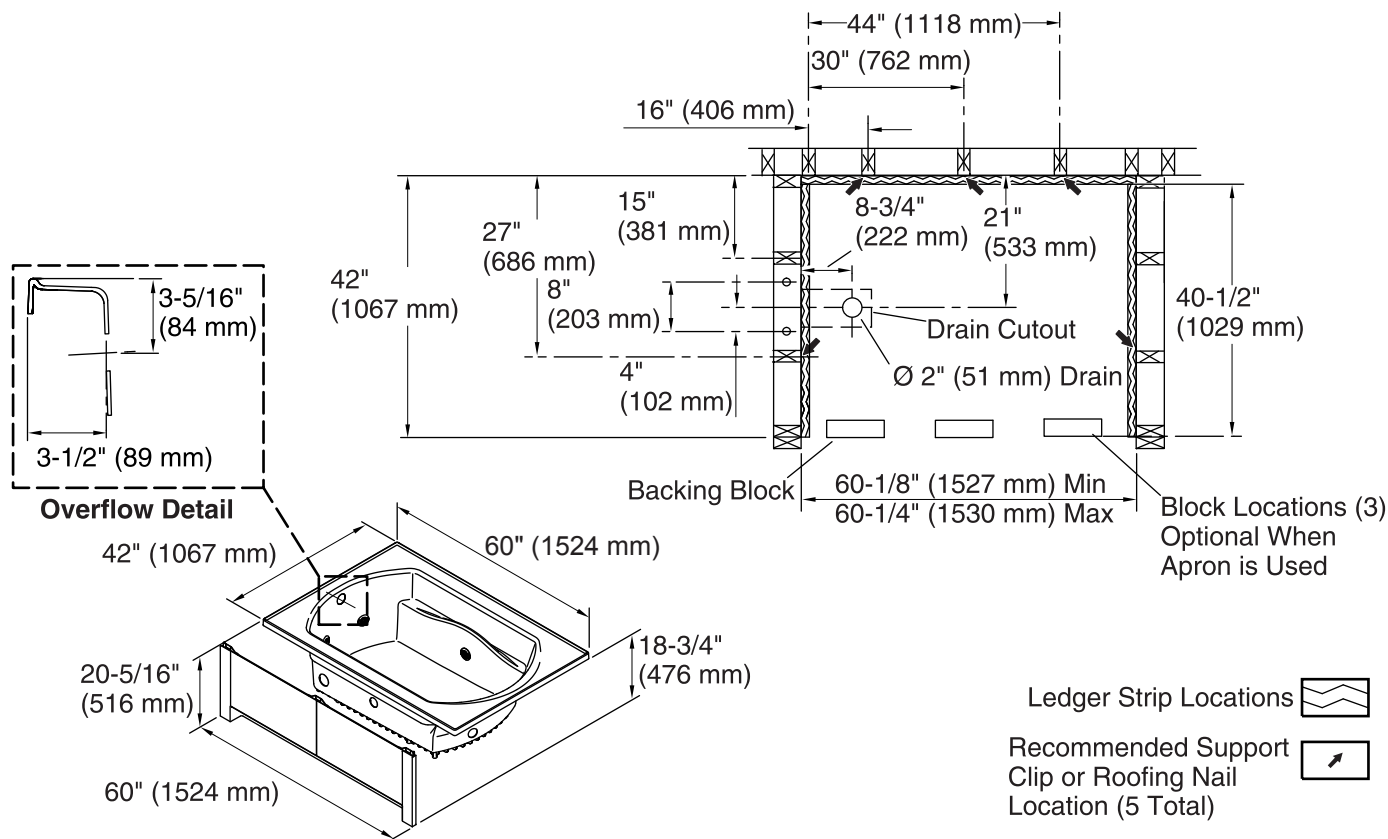
Warranty – Bathing Fixtures (and) Kitchen and Utility Sinks Made of Solid Vikrell® Material

See website for detailed warranty information.

Available Color/Finishes

Color tiles intended for reference only.

Color	Code	Description
	0	White
	96	KOHLER Biscuit



Required Electrical Service

Two dedicated circuits required, protected with Class A Ground-Fault Circuit-Interrupter (GFCI) or Residual Current Device (RCD).

Pump: 120 V, 15 A, 60 Hz
Heater: 120 V, 15 A, 60 Hz

Technical Information

All product dimensions are nominal.

Installation: Drop-in, 3-Wall Alcove
Drain location: Left
Basin area, bottom: 44" x 25-3/4" (1118 mm x 654 mm)
Basin area, top: 51" x 32-3/4" (1295 mm x 832 mm)
Water depth: 15-1/4" (387 mm)
Water capacity: 68 gal (257.4 L)
Electrical component rating: Pump: 120 V, 7 A, 60 Hz
Heater: 120 V, 12.5 A, 60 Hz, 1500 W
Pump speed: Single
Minimum flat for door: 3" (76 mm)

Notes

Install this product according to the installation instructions.

Provide one grounded electrical outlet within 24" (610 mm) of each component.

Measure your actual product for roughing-in details.

Pump service access is required.

Pump and heater are each supplied with 24" (610 mm) grounding-type plug-in cords. Locate the outlets behind the whirlpool, and within 24" (610 mm) of the pump and heater.

Size the drain cutout to fit the drain assembly.

Stud positioning is critical if nailing-in flanges are to be used.

Studs should be positioned roughly as shown for support clip or roofing nail installation.