



# Lawson®

## 36" Whirlpool Bath

### 76271120



#### Features

- Drop-in or alcove installation
- 15-1/4" soaking depth
- Solid Vikrell material
- Right drain
- Six color-matched whirlpool jets with adjustable flow control

#### Recommended Accessories

- 76268100 Apron with Access Panel
- 71268100 Standard Bath Apron
- 71287100 Tile-in Flange Kit for 60" Models

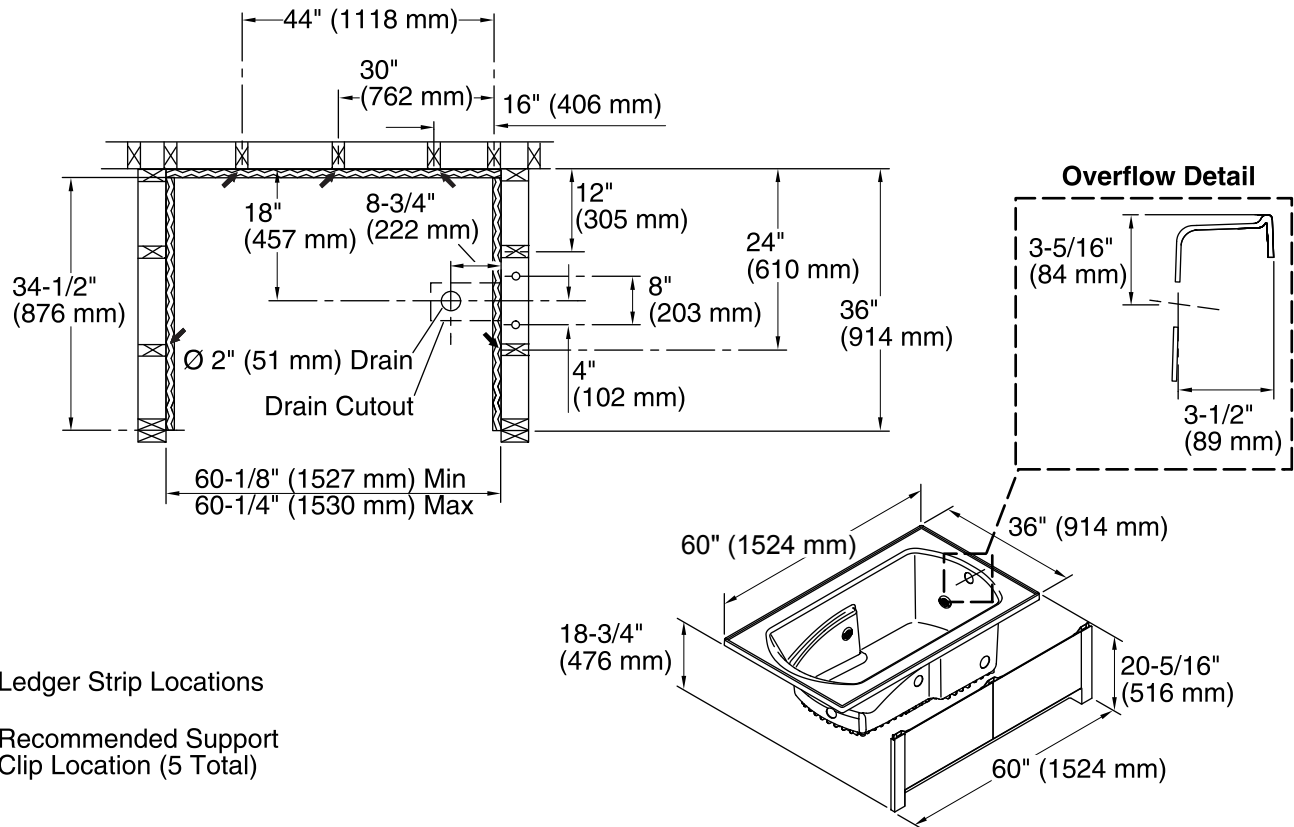


#### Codes/Standards

- ASME A112.19.7/CSA B45.10
- CSA B45.5/IAPMO Z124
- ASTM E162
- ASTM E662
- UL 1795
- Greenguard UL 2818 - Gold

#### Warranty – Bathing Fixtures (and) Kitchen and Utility Sinks Made of Solid Vikrell® Material

See website for detailed warranty information.



### Required Electrical Service

One dedicated circuit required, protected with Class A Ground-Fault Circuit-Interrupter (GFCI) or Residual Current Device (RCD).

Pump: 120 V, 15 A, 60 Hz

### Technical Information

All product dimensions are nominal.

Installation: Drop-in, 3-Wall Alcove  
 Drain location: Right  
 Basin area, bottom: 44" x 25-1/2" (1118 mm x 648 mm)  
 Basin area, top: 51" x 26-3/4" (1295 mm x 679 mm)  
 Water depth: 15-1/4" (387 mm)  
 Water capacity: 59 gal (223.3 L)  
 Electrical component rating: Pump: 120 V, 7 A, 60 Hz  
 Pump speed: Single  
 Minimum flat for door: 3" (76 mm)

### Notes

- Install this product according to the installation instructions.
- Provide one grounded electrical outlet within 24" (610 mm) of each component.
- Measure your actual product for roughing-in details.
- Pump is supplied with 24" (610 mm) grounding-type plug-in cord.
- Locate the outlet behind the whirlpool, and within 24" (610 mm) of the pump.
- Pump service access is required.
- Size the drain cutout to fit the drain assembly that will be used.
- Studs should be positioned roughly as shown.