



Lawson®

36" Whirlpool Bath

76271110



Features

- Drop-in or alcove installation
- 15-1/4" soaking depth
- Solid Vikrell material
- Left drain
- Six whirlpool jets with color-matched adjustable-flow control

Recommended Accessories

- 76268100 Apron with Access Panel
- 71268100 Standard Bath Apron
- 71287100 Tile-in Flange Kit for 60" Models



Codes/Standards

- ASME A112.19.7/CSA B45.10
- CSA B45.5/IAPMO Z124
- ASTM E162
- ASTM E662
- UL 1795
- Greenguard UL 2818 - Gold


Warranty – Bathing Fixtures (and) Kitchen and Utility Sinks Made of Solid Vikrell® Material

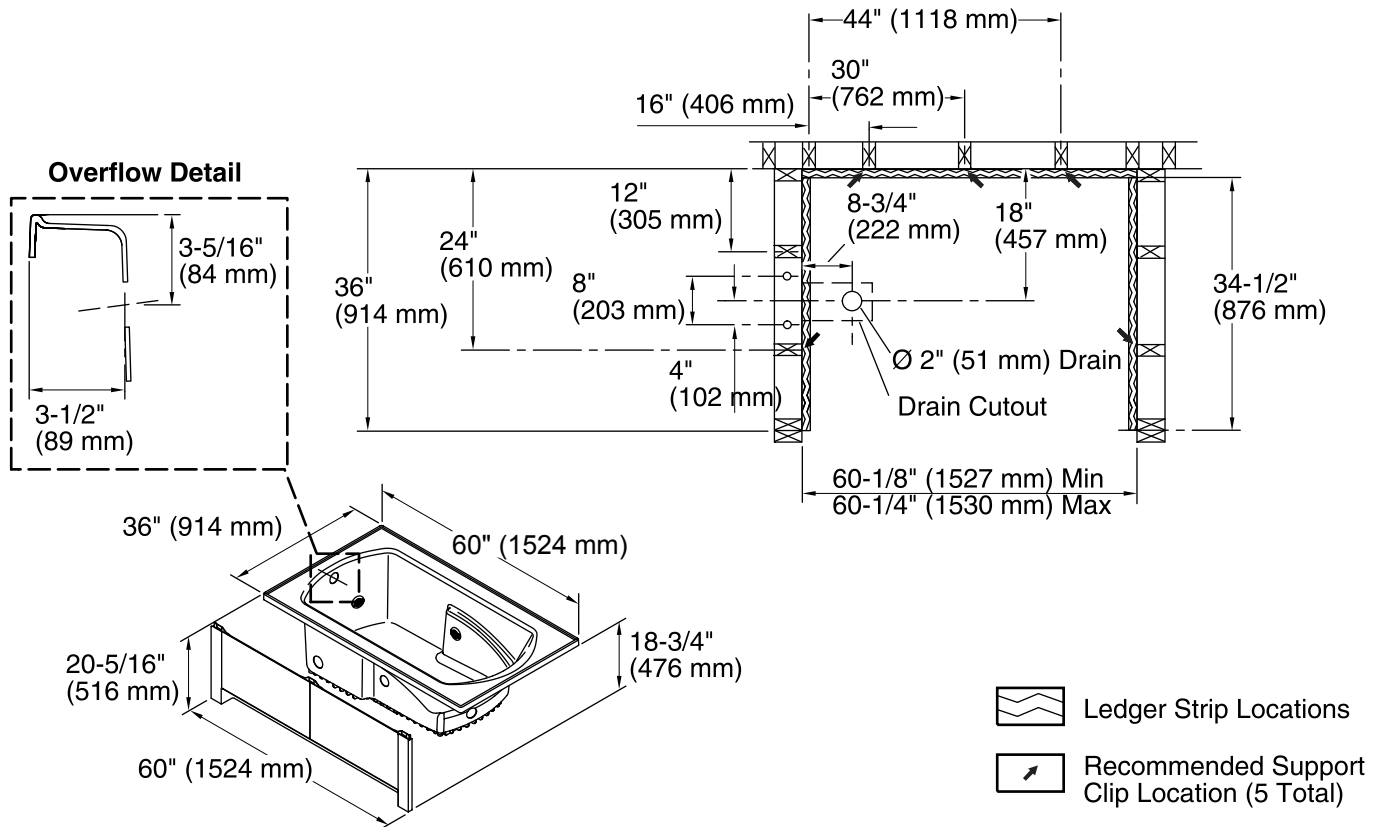
See website for detailed warranty information.

Available Color/Finishes

Color tiles intended for reference only.

Color	Code	Description
-------	------	-------------

	0	White
--	---	-------



Required Electrical Service

One dedicated circuit required, protected with Class A Ground-Fault Circuit-Interrupter (GFCI) or Residual Current Device (RCD).

Pump: 120 V, 15 A, 60 Hz

Technical Information

All product dimensions are nominal.

Installation: Drop-in, 3-Wall Alcove
 Drain location: Left
 Basin area, bottom: 44" x 25-1/2" (1118 mm x 648 mm)
 Basin area, top: 51" x 26-3/4" (1295 mm x 679 mm)
 Water depth: 15-1/4" (387 mm)
 Water capacity: 59 gal (223.3 L)
 Electrical component rating: Pump: 120 V, 7 A, 60 Hz
 Pump speed: Single
 Minimum flat for door: 3" (76 mm)

Notes

- Install this product according to the installation instructions.
- Provide one grounded electrical outlet within 24" (610 mm) of each component.
- Measure your actual product for roughing-in details.
- Pump is supplied with a grounding-type plug-in cord.
- Locate the outlet behind the whirlpool, and within 24" (610 mm) of the pump.
- Pump service access is required.
- Size the drain cutout to fit the drain assembly that will be used.
- Studs should be positioned roughly as shown.