



Features

- Right drain.
- Integral apron with removable access panel.
- 15" (381 mm) bath whirlpool depth (floor to top of threshold).
- 60-1/4" (1530 mm) x 31-1/4" (794 mm) x 73-1/4" (1861 mm) complete unit rough-in dimensions include flange.
- 60" (1524 mm) x 30" (762 mm) x 72" (1829 mm) complete unit finished dimensions.

Material

- Compression-molded from our exclusive solid Vikrell® material.

Hydrotherapy

- Six fully-adjustable hydro-massage jets (color-matched and factory-installed).
- Pump with air switch and grounding-type plug-in cord.

Installation

- Four-piece modular design with pivot "snap together" installation.
- Caulkless seam installation.
- Durable high-gloss finish with glazed tile appearance.

Recommended Accessories

- 500C-59 Framed Sliding Bath Door
- 690B-59 Framed Sliding Bath Door
- 5325EZ-57 Frameless Sliding Bath Door
- 5425-57 Frameless Sliding Bath Door
- 5425-59 Frameless Sliding Bath Door
- 5905-59 Framed Sliding Bath Door
- 5906-59 Framed Sliding Bath Door
- 5907-59 Framed Sliding Bath Door
- 542808-59 Frameless Sliding Bath Door
- 572005-59 Framed Sliding Bath Door
- 581005-59 Frameless Sliding Bath Door

Components

Product includes:

- 76141120 60" Whirlpool Bath
- 71144100 60" x 30" Tile Bath/Shower Wall Set



Codes/Standards



- ASME A112.19.7/CSA B45.10
- CSA B45.5/IAPMO Z124
- ASTM E162
- ASTM E662
- UL 1795
- Greenguard UL 2818 - Gold

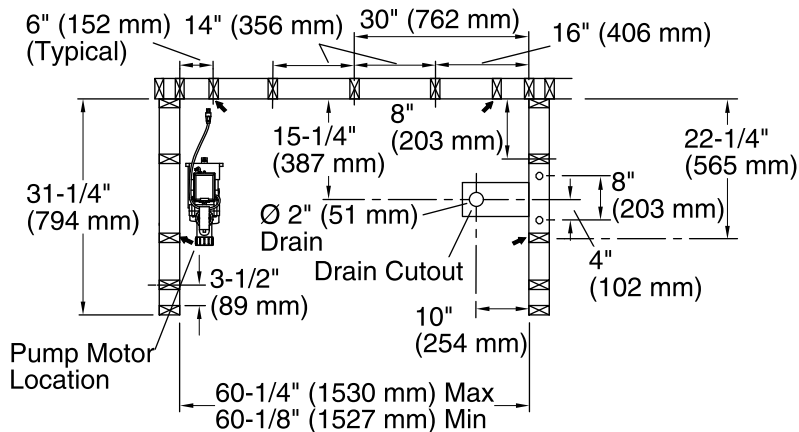
Warranty – Bathing Fixtures (and) Kitchen and Utility Sinks Made of Solid Vikrell® Material

See website for detailed warranty information.

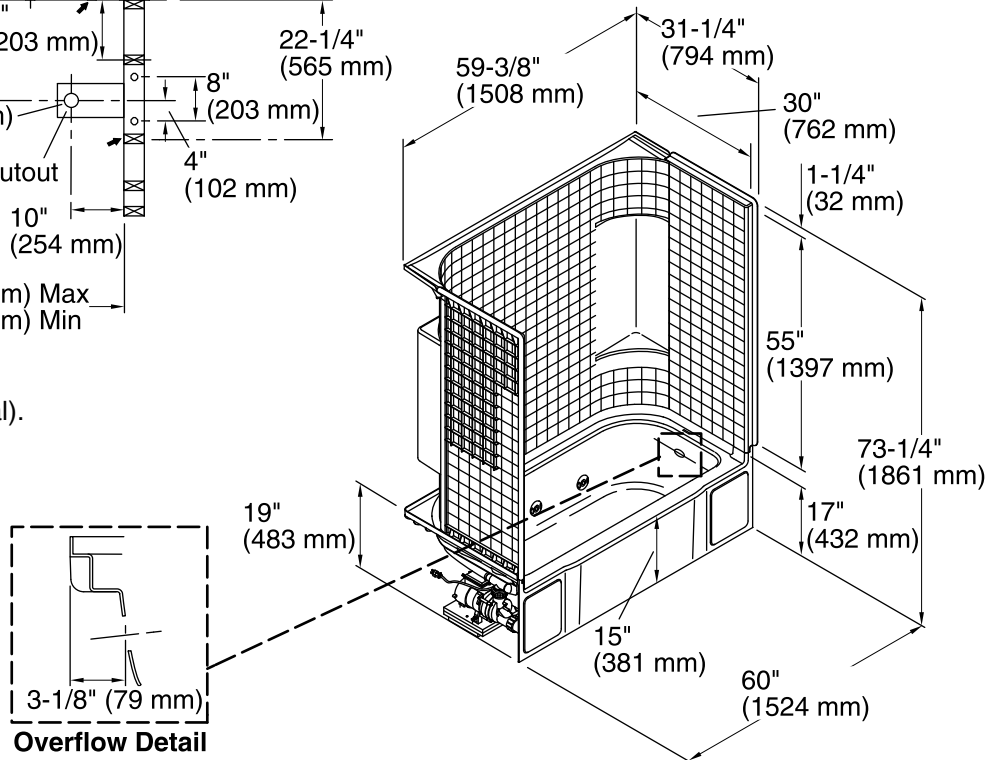
Available Color/Finishes

Color tiles intended for reference only.

Color	Code	Description
	0	White
	96	KOHLER Biscuit



☒ Support Clip Location (4 total).



Required Electrical Service

One dedicated circuit required, protected with Class A Ground-Fault Circuit-Interrupter (GFCI) or Residual Current Device (RCD).

Pump: 120 V, 15 A, 60 Hz

Technical Information

All product dimensions are nominal.

Installation: 3-Wall Alcove

Drain location: Right

Basin area, bottom: 46-1/4" x 20-1/2" (1175 mm x 521 mm)

Basin area, top: 52-1/4" x 22-1/2" (1327 mm x 572 mm)

Water depth: 11" (279 mm)

Water capacity: 34 gal (128.7 L)

Electrical component rating: Pump: 120 V, 7 A, 60 Hz

Pump speed: Single

Minimum flat for door: 2-3/4" (70 mm)

Maximum door height: 56-1/2" (1435 mm)

Maximum door width: 56-3/4" (1441 mm)

Notes

Install this product according to the installation instructions.

Provide one grounded electrical outlet within 24" (610 mm) of each component.

Measure your actual product for roughing-in details.

Pump is supplied with 24" (610 mm) grounding-type plug-in cord.

Locate the outlet behind the whirlpool, and within 24" (610 mm) of the pump.

Do not disassemble the pump or piping as this could void the warranty.

The width of the module gets 5/8" (16 mm) narrower at the back. Furring strips (approximately 1/4" (6 mm)) should be used at the back corner studs if drywall will overlap the nailing flange.

Product is designed to be used with a single-hole mixer valve with an escutcheon cover not to exceed 7-3/4" (197 mm) in width.