



A KOHLER COMPANY

# Ensemble™

## 32" Whirlpool Bath and Wall Surround 76120110



### Features

- Left drain.
- Integral apron with removable access panel.
- Durable high-gloss finish.
- Three-piece tile wall set with generous storage shelves.
- 60-1/4" (1530 mm) x 33-1/4" (845 mm) x 75-1/4" (1911 mm) complete unit rough-in dimensions include flange.
- 60" (1524 mm) x 32" (813 mm) x 74" (1880 mm) complete unit finished dimensions.

### Material

- Compression-molded from our exclusive solid Vikrell® material.

### Hydrotherapy

- Eight fully-adjustable hydro-massage jets (color-matched and factory-installed).
- Pump with air switch and grounding-type plug-in cord.

### Installation

- Tongue-and-groove 4-piece modular design allows for easy "snap together" installation.

### Recommended Accessories

- 5325EZ-59 Frameless Sliding Bath Door
- 5425-59 Frameless Sliding Bath Door
- 5427-59 Frameless Sliding Bath Door
- 542808-59 Frameless Sliding Bath Door



### Codes/Standards



- ASME A112.19.7/CSA B45.10
- CSA B45.5/IAPMO Z124
- ASTM E162
- ASTM E662
- UL 1795
- Greenguard UL 2818 - Gold

### Warranty – Bathing Fixtures (and) Kitchen and Utility Sinks Made of Solid Vikrell® Material

See website for detailed warranty information.

### Available Color/Finishes

*Color tiles intended for reference only.*

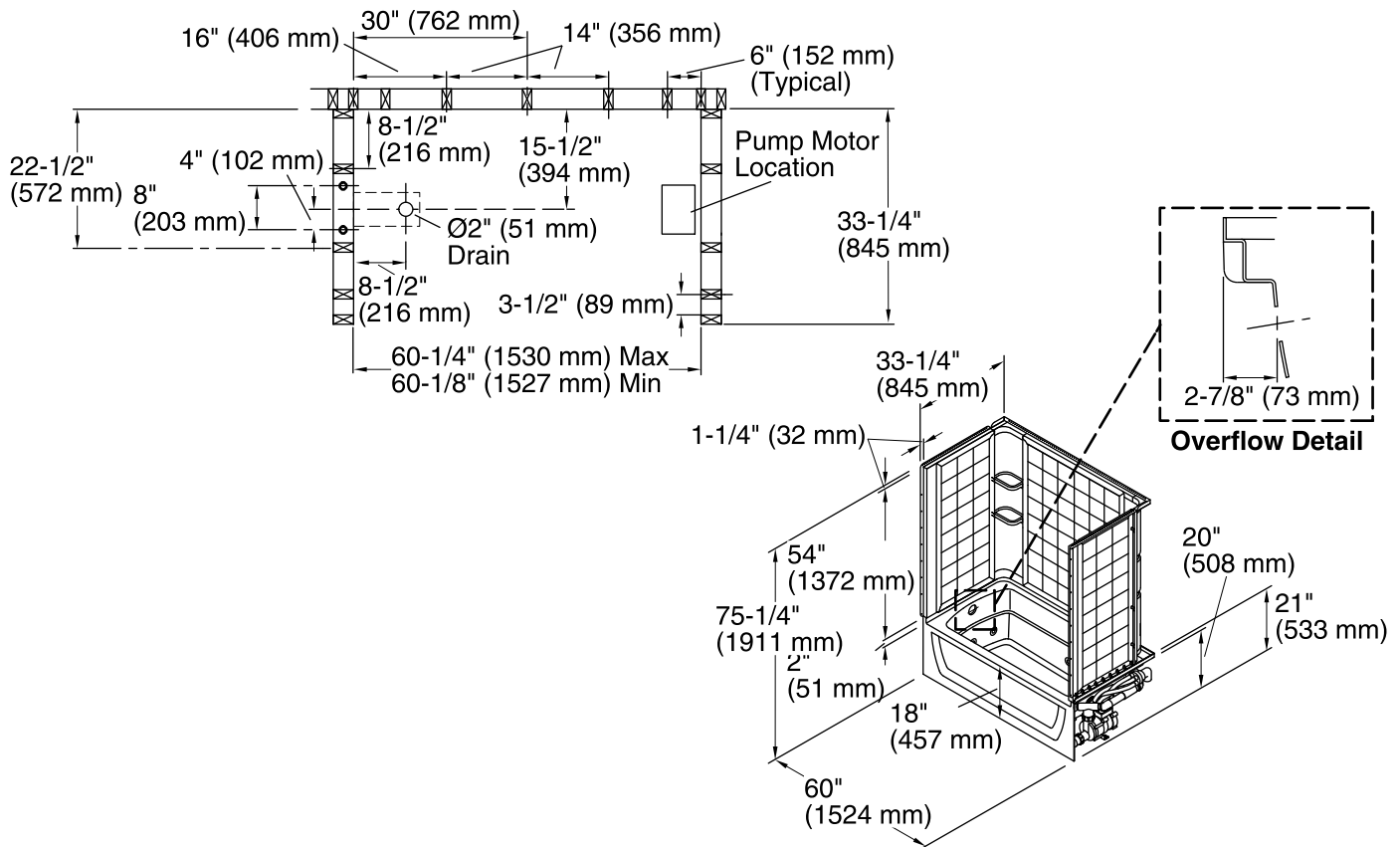
Color	Code	Description
	0	White
	96	KOHLER Biscuit

1-800-STERLING (1-800-783-7546)

Kohler Co. reserves the right to make revisions without notice to product specifications.

For the most current Specification Sheet, go to [www.sterlingplumbing.com](http://www.sterlingplumbing.com).

9-28-2018 14:35



#### Required Electrical Service

One dedicated circuit required, protected with Class A Ground-Fault Circuit-Interrupter (GFCI) or Residual Current Device (RCD).

Pump: 120 V, 15 A, 60 Hz

#### Technical Information

All product dimensions are nominal.

Installation: 3-Wall Alcove

Drain location: Left

Basin area, bottom: 42" x 20" (1067 mm x 508 mm)

Basin area, top: 54" x 26" (1372 mm x 660 mm)

Water depth: 13-3/4" (349 mm)

Water capacity: 55 gal (208.2 L)

Electrical component rating: Pump: 120 V, 7 A, 60 Hz

Pump speed: Single

Minimum flat for door: 3" (76 mm)

Maximum door height: 57-11/16" (1465 mm)

Maximum door width: 55-1/2" (1410 mm)

#### Notes

Install this product according to the installation instructions.

Provide one grounded electrical outlet within 24" (610 mm) of each component.

Measure your actual product for roughing-in details.

Pump is supplied with 24" (610 mm) grounding-type plug-in cord.

Locate the outlet behind the whirlpool, and within 24" (610 mm) of the pump.