



A KOHLER COMPANY

Ensemble™

36" Whirlpool Bath and Wall Surround 76100110



Features

- Left drain.
- Integral apron with removable access panel.
- Durable high-gloss finish.
- 16" (406 mm) bath whirlpool depth (floor to top of threshold).
- 60-1/4" (1530 mm) x 37-1/2" (953 mm) x 73-1/4" (1861 mm) complete unit rough-in dimensions include flange.
- 60" (1524 mm) x 36" (914 mm) x 72" (1829 mm) complete unit finished dimensions.

Material

- Compression-molded from our exclusive solid Vikrell® material.

Hydrotherapy

- Six fully-adjustable hydro-massage jets (color-matched and factory-installed).
- Pump with air switch and grounding-type plug-in cord.

Installation

- Tongue-and-groove 4-piece modular design allows for easy "snap together" installation.

Recommended Accessories

- 5325EZ-59 Frameless Sliding Bath Door
- 5425-59 Frameless Sliding Bath Door
- 5427-59 Frameless Sliding Bath Door
- 542808-59 Frameless Sliding Bath Door

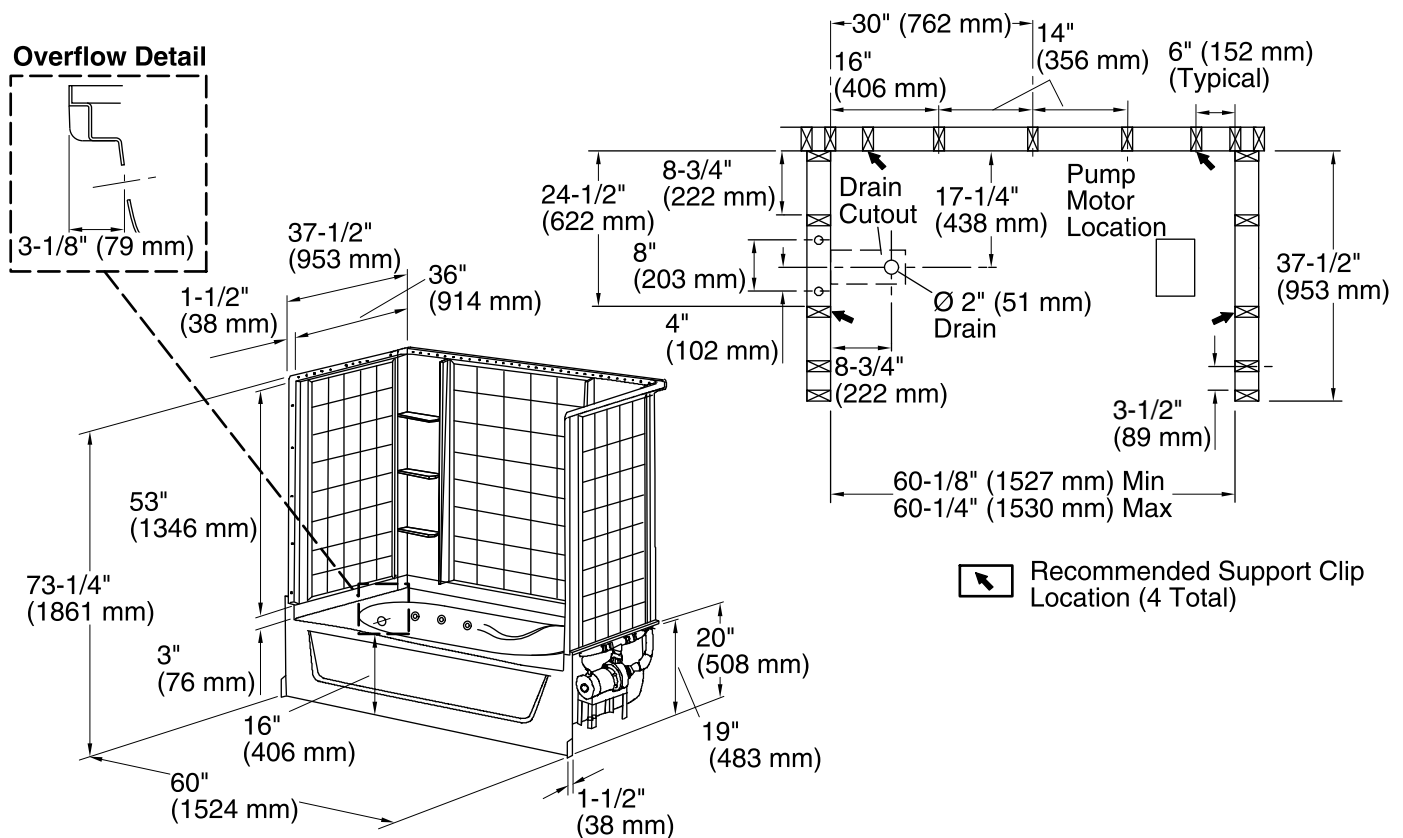


Codes/Standards

- ASME A112.19.7/CSA B45.10
- CSA B45.5/IAPMO Z124
- ASTM E162
- ASTM E662
- UL 1795

Warranty – Bathing Fixtures (and) Kitchen and Utility Sinks Made of Solid Vikrell® Material

See website for detailed warranty information.



Required Electrical Service

One dedicated circuit required, protected with Class A Ground-Fault Circuit-Interrupter (GFCI) or Residual Current Device (RCD).

Pump: 120 V, 15 A, 60 Hz

Technical Information

All product dimensions are nominal.

Installation: 3-Wall Alcove

Drain location: Left

Basin area, bottom: 40" x 21" (1016 mm x 533 mm)

Basin area, top: 52" x 29" (1321 mm x 737 mm)

Water depth: 11" (279 mm)

Water capacity: 40 gal (151.4 L)

Electrical component rating: Pump: 120 V, 7 A, 60 Hz

Pump speed: Single

Minimum flat for door: 3-1/4" (83 mm)

Maximum door height: 55-3/4" (1416 mm)

Maximum door width: 58-1/2" (1486 mm)

Notes

Install this product according to the installation instructions.

Provide one grounded electrical outlet within 24" (610 mm) of each component.

Measure your actual product for roughing-in details.

Pump is supplied with 24" (610 mm) grounding-type plug-in cord.

Locate the outlet behind the whirlpool, and within 24" (610 mm) of the pump.

Do not disassemble the pump or piping as this could void the warranty.

Size the drain cutout to fit the drain assembly that will be used.

Studs should be positioned roughly as shown.