



STORE+®
60-1/4" x 32" shower
72420120



Features

- Tongue-and-groove modular design allows for easy installation during any phase of construction.
- Includes four rimmed shelves, two bins, two shower hooks, and two soap dishes with towel bar.
- Dishwasher-safe shelves and bins snap into place; no tools required.
- Holds up to 30 bottles.
- Easy-to-clean, durable high-gloss finish.
- Shaving ledge/footrest for added comfort.

Material

- Compression molded from our exclusive solid Vikrell® material.

Installation

- Alcove.
- Caulk-free installation.
- Right drain.

Recommended Products/Accessories

K-23726 Drain treatment
K-23733 Vikrell® cleaner

Included Components

Product consists of:

72332100
72181120
72425100-0

Additional Components:

10-piece Accessory Kit



Codes/Standards



CSA B45.5/IAPMO Z124
ASTM E162
ASTM E662
HUD, UM Bulletin 73

STERLING® Vikrell® or Acrylic Baths and Shower Bases Ten-Year Limited Warranty

See website for detailed warranty information.

Available Colors/Finishes

Color tiles intended for reference only.

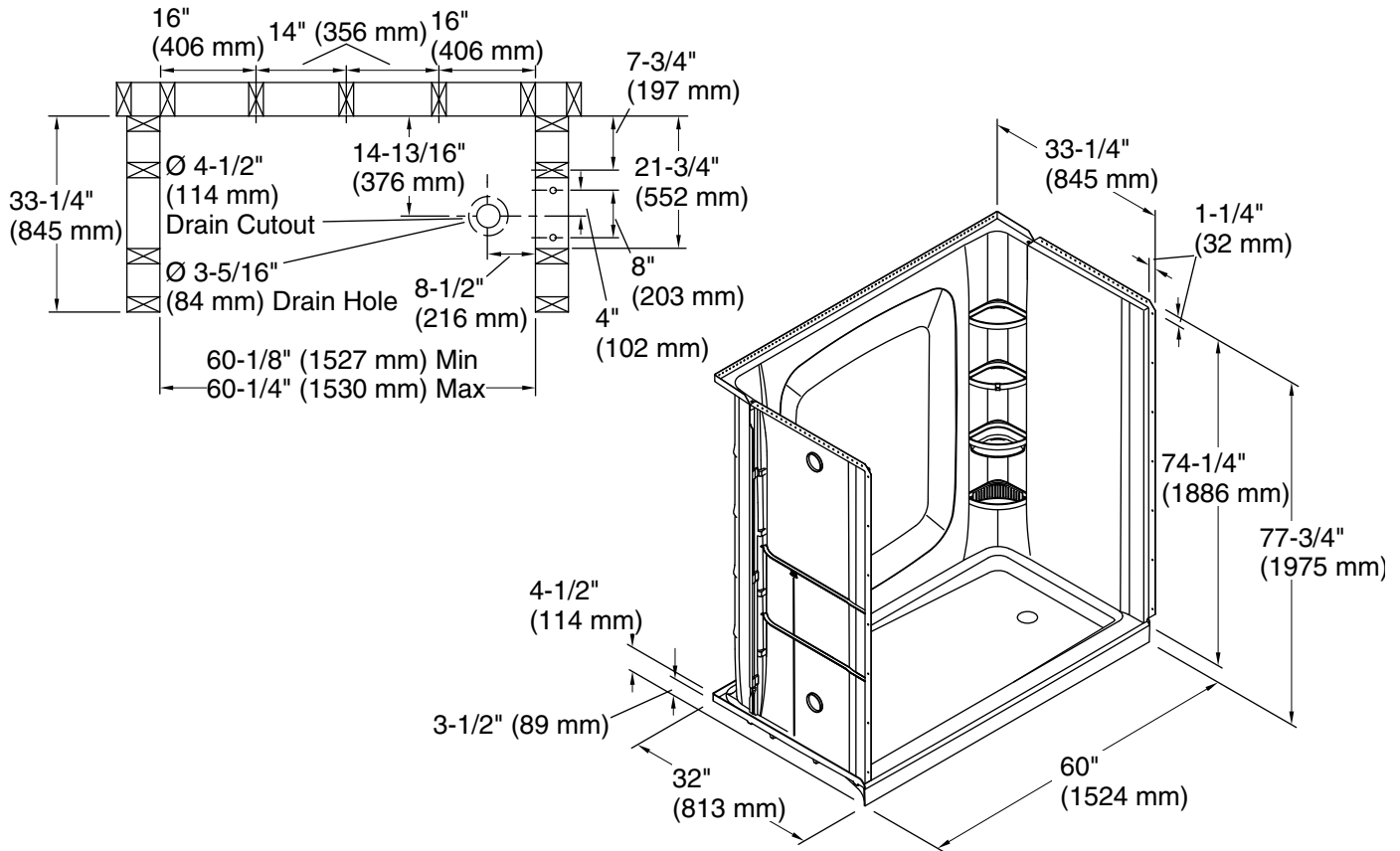
Color	Code	Description
	0	White
	96	KOHLER Biscuit

1-800-STERLING (1-800-783-7546)

Kohler Co. reserves the right to make revisions without notice to product specifications.

For the most current Specification Sheet, go to www.sterlingplumbing.com.

12-29-2021 11:04 - US/CA



Technical Information

All product dimensions are nominal.

Installation:	Three-wall alcove
Drain location:	Right
Maximum door height:	73" (1854 mm)
Maximum door width:	56-5/8" (1438 mm)

Notes

Install this product according to the installation instructions.

Studs should be positioned roughly as shown.

Double studding is recommended for pivot shower door installations.