



Medley®

36" x 34" shower stall w/AIP backerboards
72400106



Features

- 3-1/8" (79 mm) threshold.
- Tongue-and-groove modular design allows for easy installation during any phase of construction.
- Smooth wall design with molded-in shelves and shaving ledges.
- Easy-to-clean, durable high-gloss finish.

Material

- Compression molded from our exclusive solid Vikrell® material.

Installation

- Alcove.
- Center drain.
- Caulk-free installation.

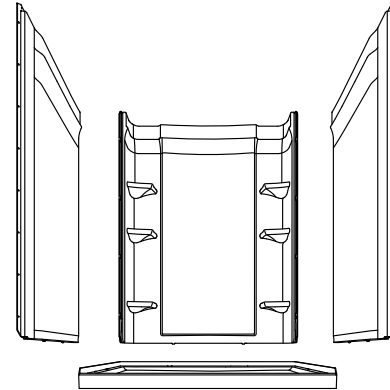
Recommended Products/Accessories

- 1500D-36 Framed pivot shower door
- 1505D-36 Framed pivot shower door
- 1507D-36 Framed pivot shower door
- 1530D-36 Framed pivot shower door
- 1535D-36 Framed pivot shower door
- 80001012 12" straight grab bar
- 80001018 18" straight grab bar
- 80001024 24" straight grab bar
- K-23726 Drain treatment
- K-23733 Vikrell® cleaner

Included Components

Product consists of:

- 72301100 36" x 34" shower base
- 72402100 36" shower back wall
- 72405106 34" end wall set w/ AIP backerboards



Codes/Standards



- CSA B45.5/IAPMO Z124
- ASTM E162
- ASTM E662
- HUD, UM Bulletin 73

STERLING® Vikrell® or Acrylic Baths and Shower Bases Ten-Year Limited Warranty

See website for detailed warranty information.

Available Colors/Finishes

Color tiles intended for reference only.

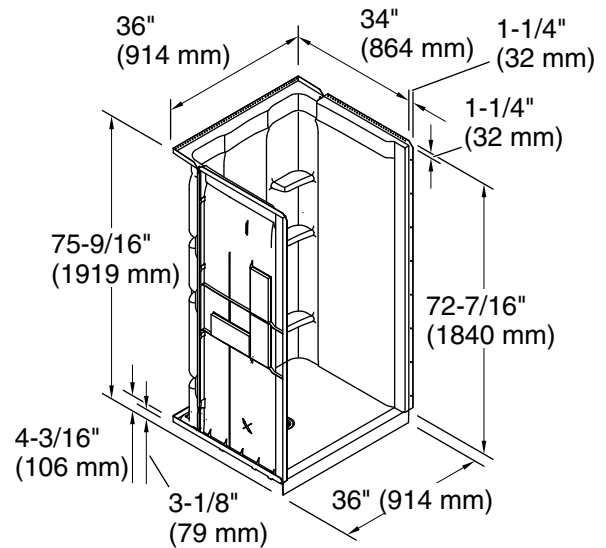
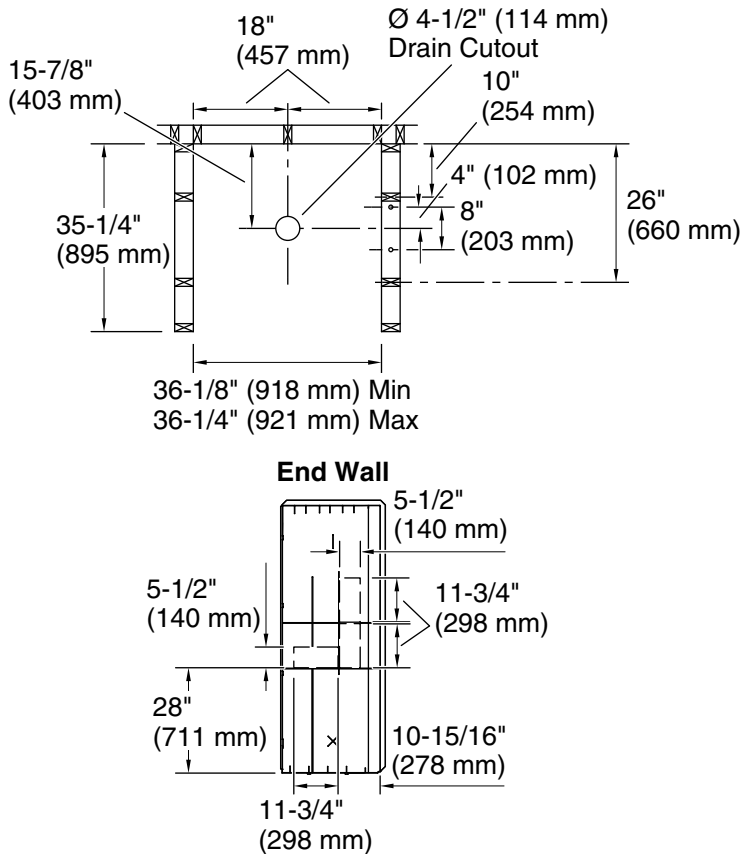
Color	Code	Description
	0	White
	96	KOHLER Biscuit

1-800-STERLING (1-800-783-7546)

Kohler Co. reserves the right to make revisions without notice to product specifications.

For the most current Specification Sheet, go to www.sterlingplumbing.com.

5-29-2021 21:52 - US//CA/LM



Note: Right and left end walls are the same, only mirrored.

□ Backer board locations

Technical Information

All product dimensions are nominal.

Installation:	Three-wall alcove
Drain location:	Center
Weight:	99 lbs (44.9 kg)
Maximum door height:	70-3/4" (1797 mm)
Maximum door width:	33-5/8" (854 mm)

Notes

Install this product according to the installation instructions.

Attach grab bars at the specified backerboard locations only.

Studs should be positioned roughly as shown.