



**Accord®**

**48" Seated Shower with Grab Bars  
72280103-V**



**Features**

- 48" Shower Module
- Made from solid Vikrell material for strength, durability, and lasting beauty
- Modular design allows for easy installation during any phase of construction
- Geometric back wall provides visual interest and ample storage shelves
- 12" wide seat can be positioned on the left or right side of the shower or it can be removed for regular showering
- Ample storage shelves are recessed leaving a more spacious feeling shower
- High-gloss finish provides a smooth, shiny surface that is easy to clean
- No caulking required in the seams
- Includes three Sterling Age-In-Place grab bars: one 80012222 and two 8001024



**Recommended Products/Accessories**

- 695B-48 Framed Sliding Shower Door
- 1500D-48 Framed Pivot Shower Door
- 1505D-48 Framed Pivot Shower Door
- 1506D-48 Framed Pivot Shower Door
- 1530D-48 Framed Pivot Shower Door
- 1535D-48 Framed Pivot Shower Door
- 5375EZ-45 Frameless Sliding Shower Door
- 5475-48 Frameless Sliding Shower Door
- 5477-48 Frameless Sliding Shower Door
- 5970-48 Framed Sliding Shower Door
- 5975-48 Framed Sliding Shower Door
- 5976-48 Framed Sliding Shower Door
- 5977-48 Framed Sliding Shower Door
- 547808-48 Frameless Sliding Shower Door
- 572075-48 Framed Sliding Shower Door
- 581075-48 Frameless sliding shower door
- 80001012 12" Grab Bar
- 80001018 18" Grab Bar
- 80001024 24" Grab Bar
- 80011032 32" Grab Bar
- 80001036 36" Grab Bar
- 80012222 22" Grab Bar
- 72286104 Removable Shower Seat

**Included Components**

- Product consists of:
- 72286104 Removable Shower Seat
  - 72281100 48" Seated Shower Base
  - 72284103-V 48" Seated Shower Wall Set w/ Grab Bars

**Codes/Standards**

- CSA B45.5/IAPMO Z124
- ASTM E162
- ASTM E662
- Greenguard UL 2818 - Gold
- HUD, UM Bulletin 73

**Warranty – Bathing Fixtures (and) Kitchen and Utility Sinks Made of Solid Vikrell® Material**

**STERLING® Warranty - Grab Bars**  
**STERLING® Warranty - Bathing & Showering Seats**

See website for detailed warranty information.

**Available Colors/Finishes**

*Color tiles intended for reference only.*

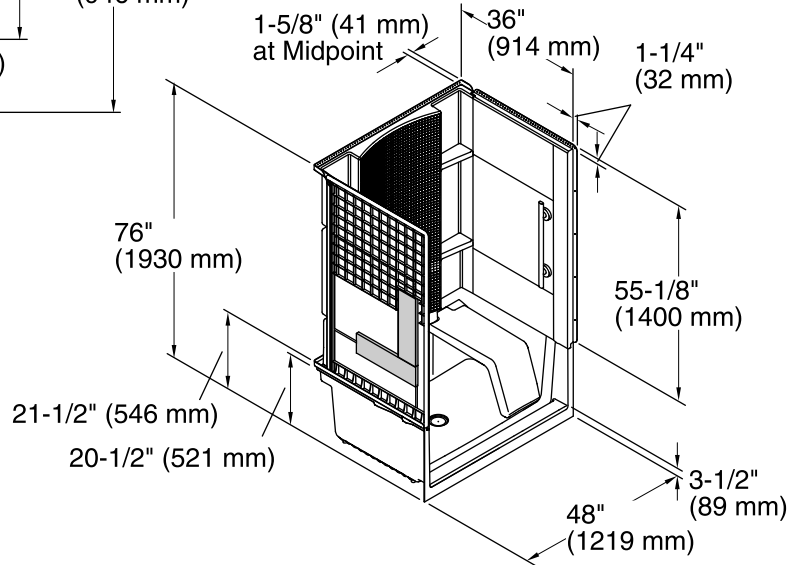
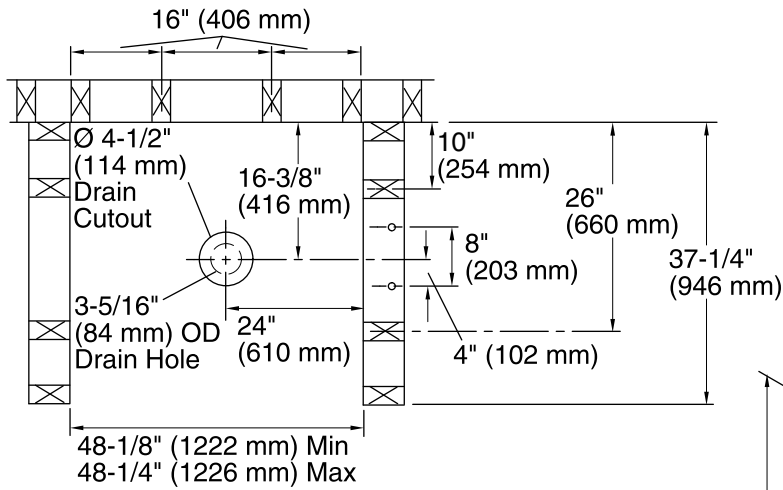
| Color | Code | Description    |
|-------|------|----------------|
|       | 0    | White          |
|       | 96   | KOHLER Biscuit |

1-800-STERLING (1-800-783-7546)

Kohler Co. reserves the right to make revisions without notice to product specifications.

For the most current Specification Sheet, go to [www.sterlingplumbing.com](http://www.sterlingplumbing.com).

4-26-2019 00:52 - US



**Technical Information**

All product dimensions are nominal.

- Installation: Three-wall alcove
- Drain location: Center
- Minimum flat for door: 3-1/4" (83 mm)
- Threshold height: 3-1/2" (89 mm)
- Maximum door height: 70-5/8" (1794 mm)
- Maximum door width: 44-5/8" (1133 mm)

**Notes**

- Install this product according to the installation instructions.
- Studs should be positioned roughly as shown. Double studding is recommended for pivot shower door installations.
- Base cannot be installed without the wall surround.