



Features

- Alcove installation
- 3-1/2" threshold
- Solid Vikrell material
- Durable high-gloss finish
- Center drain
- Pivot snap-together modular design
- Geometric backwall design
- No caulk required
- Convenient shelves; includes two Matte Silver grab bars (80001024) individually packed inside the wall set box



Recommended Products/Accessories

- 1500D-36 Framed Pivot Shower Door
- 1505D-36 Framed Pivot Shower Door
- 1507D-36 Framed Pivot Shower Door
- 1530D-36 Framed Pivot Shower Door
- 1535D-36 Framed Pivot Shower Door
- 6305-32 Frameless Pivot Shower Door
- 6305-34 Frameless Pivot Shower Door
- 6505-33 Framed Pivot Shower Door
- 80001012 12" Grab Bar
- 80001018 18" Grab Bar
- 80001024 24" Grab Bar
- 80011032 32" Grab Bar
- 80001036 36" Grab Bar

Included Components

- Product consists of:
- 72245103-N Shower End Wall Set with Grab Bars
 - 72241100 36" Shower Base
 - 72242100 36" Shower Back Wall
 - 80001024 24" Grab Bar

Codes/Standards



- CSA B45.5/IAPMO Z124
- ASTM E162
- ASTM E662
- Greenguard UL 2818 - Gold
- HUD, UM Bulletin 73

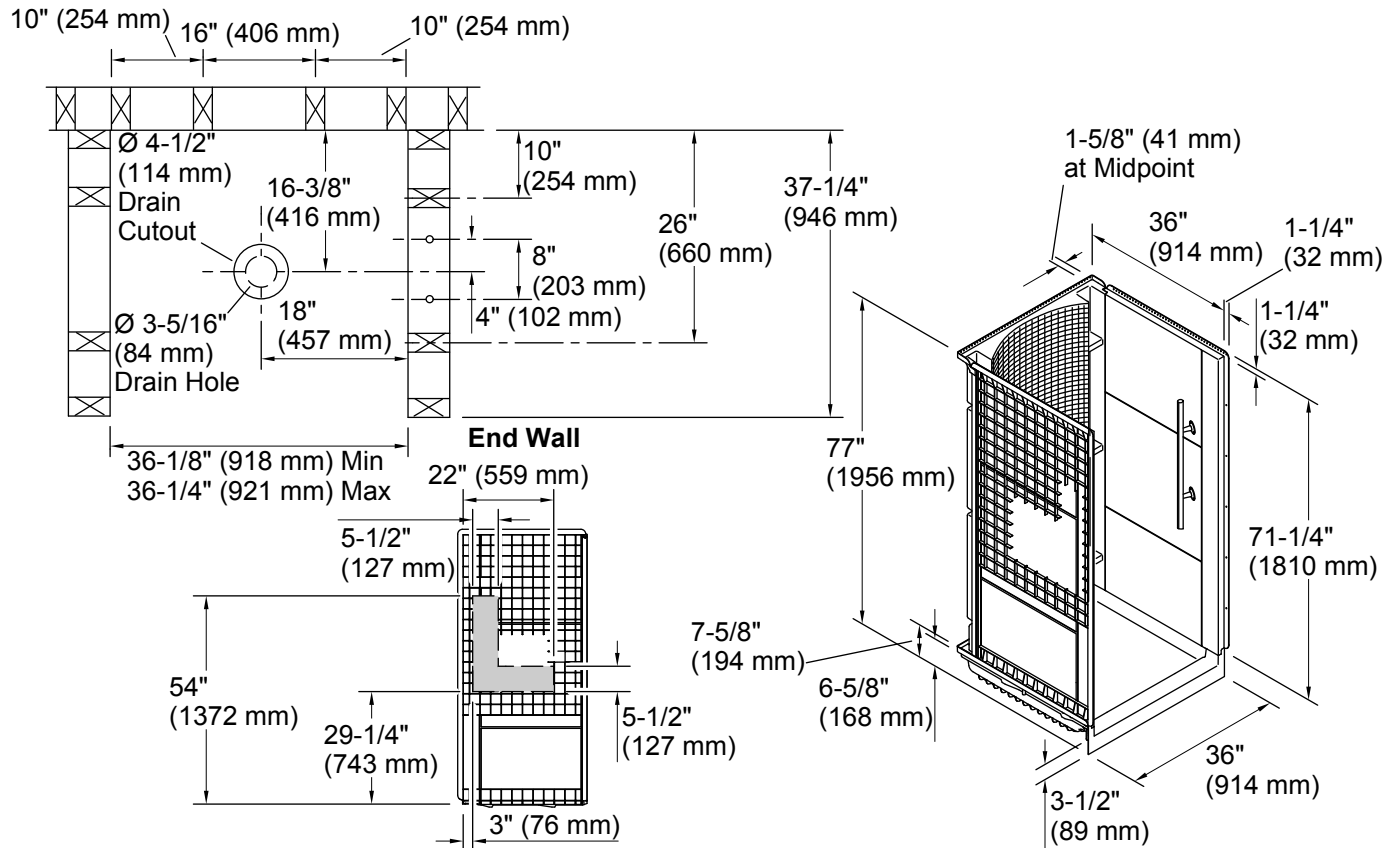
Warranty – Bathing Fixtures (and Kitchen and Utility Sinks Made of Solid Vikrell® Material)

STERLING® Warranty - Grab Bars
See website for detailed warranty information.

Available Colors/Finishes

Color tiles intended for reference only.

Color	Code	Description
	0	White
	96	KOHLER Biscuit



Technical Information

All product dimensions are nominal.

Installation: Three-wall alcove

Drain location: Center

Minimum flat for door: 3-1/4" (83 mm)

Threshold height: 3-1/2" (89 mm)

Maximum door height: 72" (1829 mm)

Maximum door width: 32-5/8" (829 mm)

Notes

Install this product according to the installation instructions.

Studs should be positioned roughly as shown.

Double studding is recommended for pivot shower door installations.

Attach grab bars at the specified backerboard locations only.

Shower base cannot be installed without the wall surround.