



Features

- Alcove installation
- 4-1/2" threshold
- Solid Vikrell material
- Durable high-gloss finish
- Center drain
- Three-piece, tongue-and-groove walls with snap-together installation
- Some caulk required
- Convenient shelves, shaving ledge/footrest
- Aging in Place backerboards

Recommended Products/Accessories

- 695B-48 Framed Sliding Shower Door
- 1500D-48 Framed Pivot Shower Door
- 1505D-48 Framed Pivot Shower Door
- 1506D-48 Framed Pivot Shower Door
- 1530D-48 Framed Pivot Shower Door
- 1535D-48 Framed Pivot Shower Door
- 5375EZ-45 Frameless Sliding Shower Door
- 5475-48 Frameless Sliding Shower Door
- 5477-48 Frameless Sliding Shower Door
- 5970-48 Framed Sliding Shower Door
- 5975-48 Framed Sliding Shower Door
- 5976-48 Framed Sliding Shower Door
- 5977-48 Framed Sliding Shower Door
- 547808-48 Frameless Sliding Shower Door
- 572075-48 Framed Sliding Shower Door
- 581075-48 Frameless sliding shower door
- 80001012 12" Grab Bar
- 80001018 18" Grab Bar
- 80001024 24" Grab Bar
- 80011032 32" Grab Bar
- 80001036 36" Grab Bar

Included Components

- Product consists of:
- 72105106 34" shower end wall set with backer boards
 - 72121100 48" Shower Base
 - 72122106 48" Shower Back Wall w/Backer Boards



Codes/Standards

- CSA B45.5/IAPMO Z124
- ASTM E162
- ASTM E662
- Greenguard UL 2818 - Gold
- HUD, UM Bulletin 73

Warranty – Bathing Fixtures (and) Kitchen and Utility Sinks Made of Solid Vikrell® Material

See website for detailed warranty information.

Available Colors/Finishes

Color tiles intended for reference only.

Color	Code	Description
	0	White
	96	KOHLER Biscuit

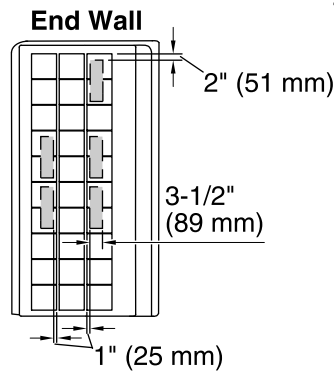
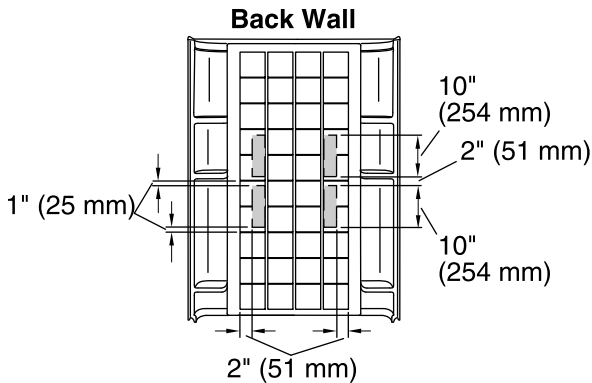
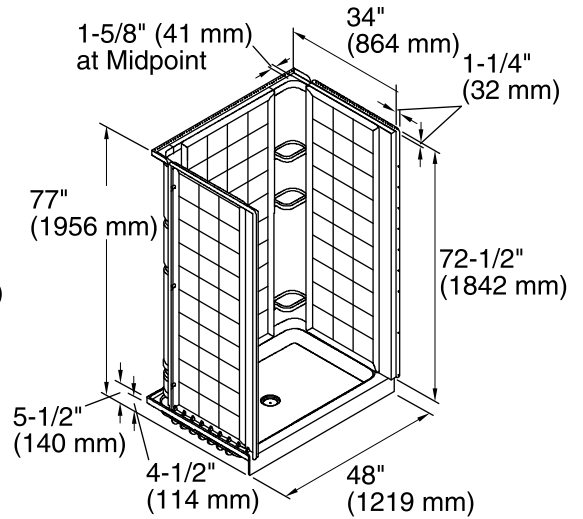
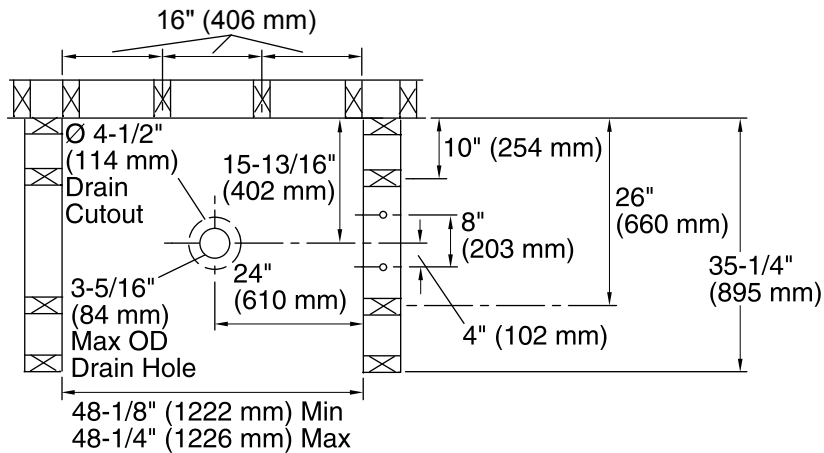
STERLING

A KOHLER COMPANY


Ensemble™

48" Tile Shower w/Backer Boards

72120106



Note: Right and left end walls are the same, only mirrored.

 Backer board locations

Technical Information

All product dimensions are nominal.

Installation: Three-wall alcove

Drain location: Center

Minimum flat for door: 3" (76 mm)

Threshold height: 4-1/2" (114 mm)

Maximum door height: 70-1/2" (1791 mm)

Maximum door width: 44-5/8" (1133 mm)

Notes

Install this product according to the installation instructions.

Attach grab bars at the specified backerboard locations only.

Studs should be positioned roughly as shown.

Double studing is recommended for pivot shower door installations.

1-800-STERLING (1-800-783-7546)

Kohler Co. reserves the right to make revisions without notice to product specifications.

For the most current Specification Sheet, go to www.sterlingplumbing.com.

4-26-2019 00:39 - US