



Performa™ 2

60" x 29" Vikrell® bath/shower, left drain
71340110



Features

- Tongue-and-groove modular design allows for easy installation during any phase of construction
- Molded-in shelves
- Easy-to-clean, durable high-gloss finish

Material

- Compression molded from our exclusive solid Vikrell® material

Installation

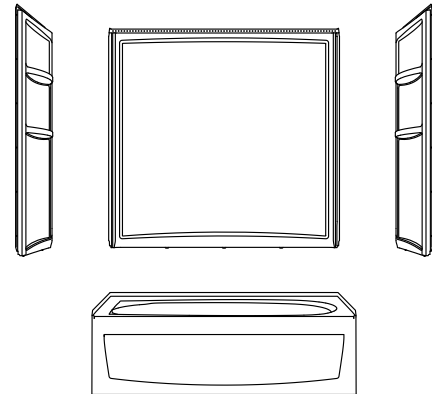
- Alcove
- Left drain
- Caulk-free installation

Recommended Products/Accessories

- K-23726 Drain treatment
- K-23733 Vikrell® cleaner

Included Components

- Product consists of:
- 71341110
 - 71344100

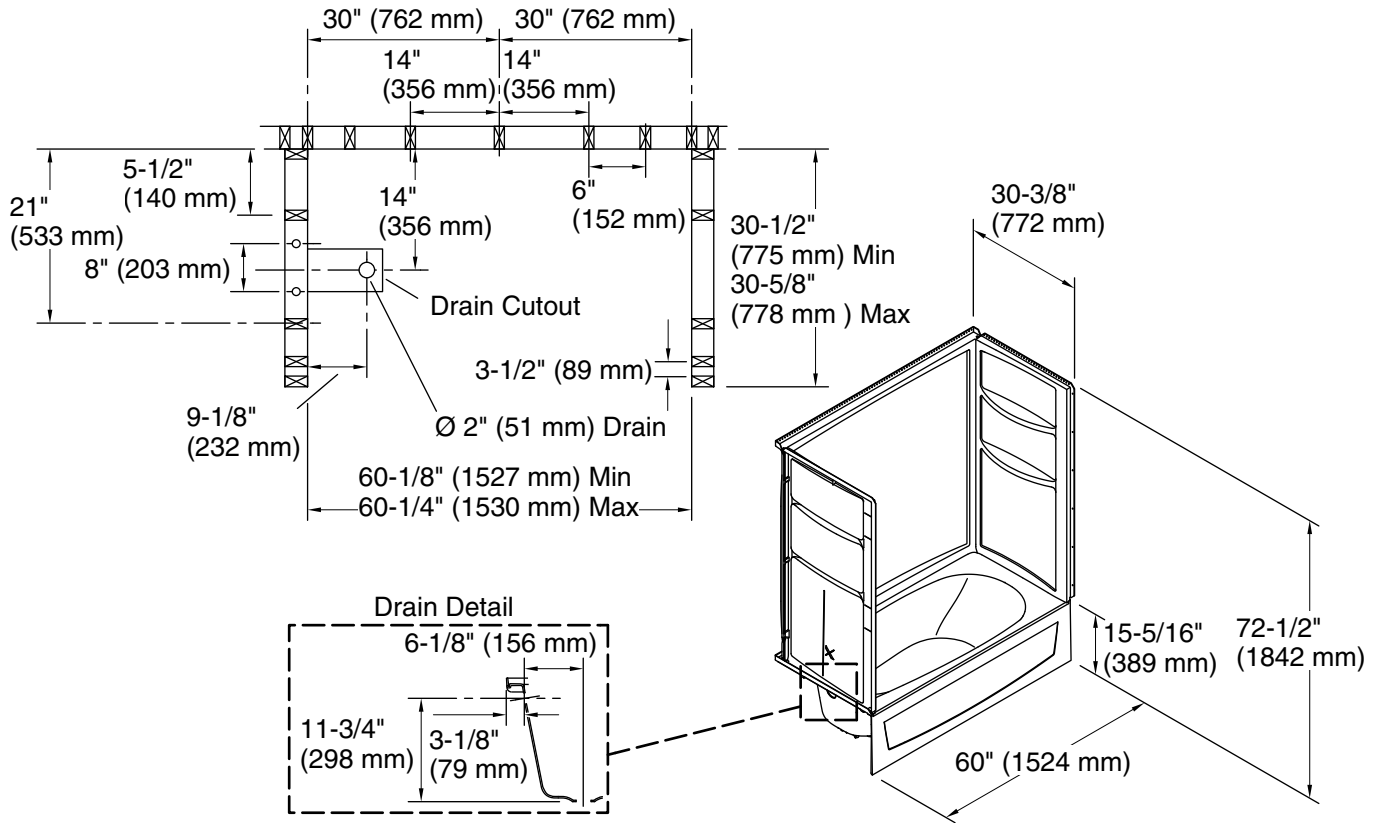


Codes/Standards

- CSA B45.5/IAPMO Z124
- ASTM E162
- ASTM E662

STERLING® Vikrell® or Acrylic Baths and Shower Bases Ten-Year Limited Warranty

See website for detailed warranty information.



Technical Information

All product dimensions are nominal.

Installation:	Three-wall alcove
Drain location:	Left
Weight:	106.5 lbs (48.3 kg)
Water depth:	10-1/4" (260 mm)
Water capacity:	35 gal (132.5 L)
Maximum door height:	55-3/4" (1416 mm)
Maximum door width:	57-3/4" (1467 mm)

Notes

Install this product according to the installation instructions.

Studs should be positioned roughly as shown.