



Features

- Alcove installation
- 18-3/4" apron
- Solid Vikrell material
- Left drain
- 3" drain-to-floor clearance for above-floor drain installation
- Compatible with tile-down installation



ADA

Codes/Standards



- CSA B45.5/IAPMO Z124
- ASTM E162
- ASTM E662
- Greenguard UL 2818 - Gold
- ADA
- ICC/ANSI A117.1
- HUD, UM Bulletin 73

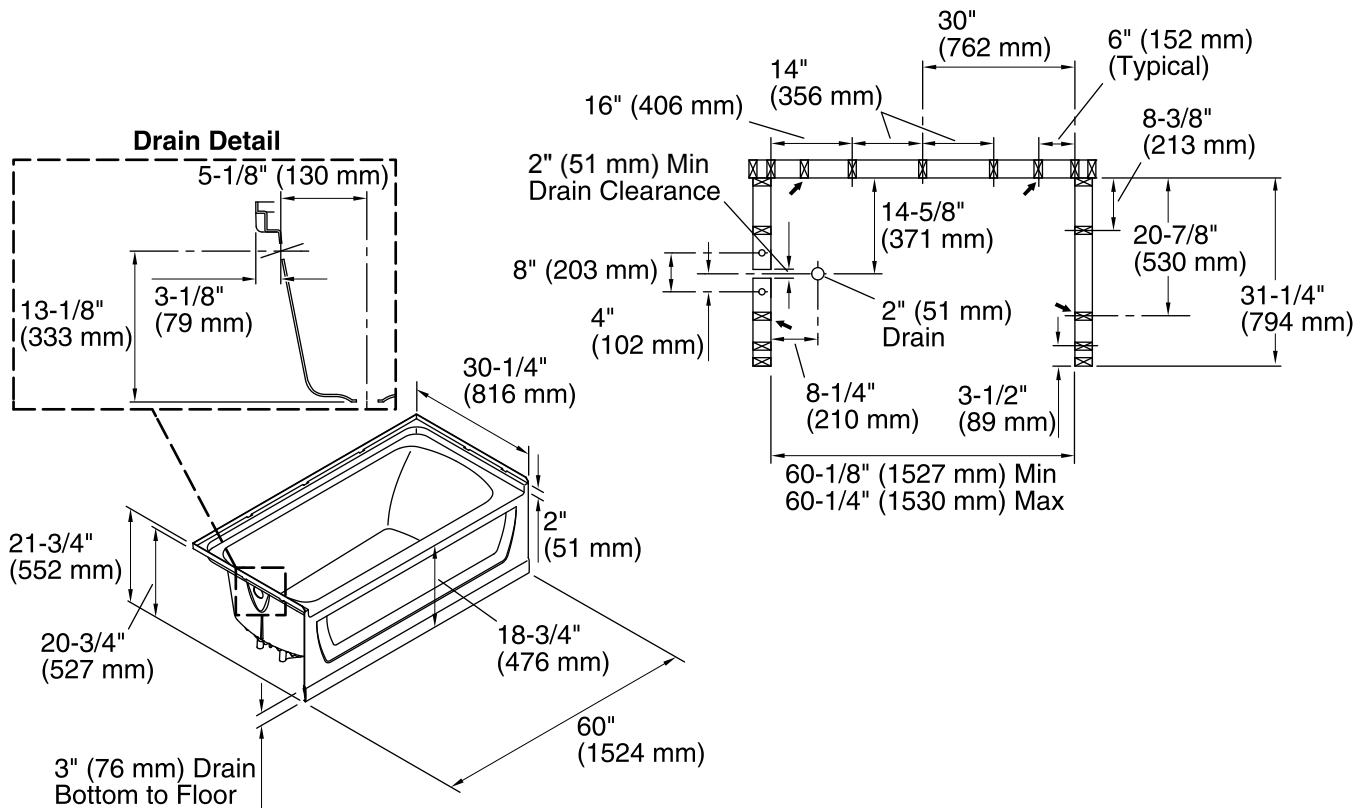
Warranty – Bathing Fixtures (and) Kitchen and Utility Sinks Made of Solid Vikrell® Material

See website for detailed warranty information.

Available Colors/Finishes

Color tiles intended for reference only.

| Color | Code | Description |
|--|------|----------------|
|  | 0 | White |
|  | 96 | KOHLER Biscuit |



Technical Information

All product dimensions are nominal.

Installation: Three-wall alcove

Drain location: Left

Basin area, bottom: 45" x 20" (1143 mm x 508 mm)

Basin area, top: 53" x 23" (1346 mm x 584 mm)

Water depth: 11-1/4" (286 mm)

Water capacity: 44 gal (166.6 L)

Minimum flat for door: 2-3/4" (70 mm)

Maximum door width: 57-11/16" (1465 mm)

Notes

Install this product according to the installation instructions.

Studs should be positioned roughly as shown.

Double studding is recommended for pivot shower door installations.

ADA compliant when installed to the specific requirements of these regulations.