



Features

- Alcove installation
- 20" apron
- Vikrell material
- Left drain
- Pivot snap-together modular design
- Geometric back-wall design
- No caulk required
- Molded-in shelves

Included Components

Product consists of:

- 71164100 60" x 36" Bath/Shower Wall Set
- 71161110 60" x 36" Bath



Codes/Standards



- CSA B45.5/IAPMO Z124
- ASTM E162
- ASTM E662
- Greenguard UL 2818 - Gold
- HUD, UM Bulletin 73

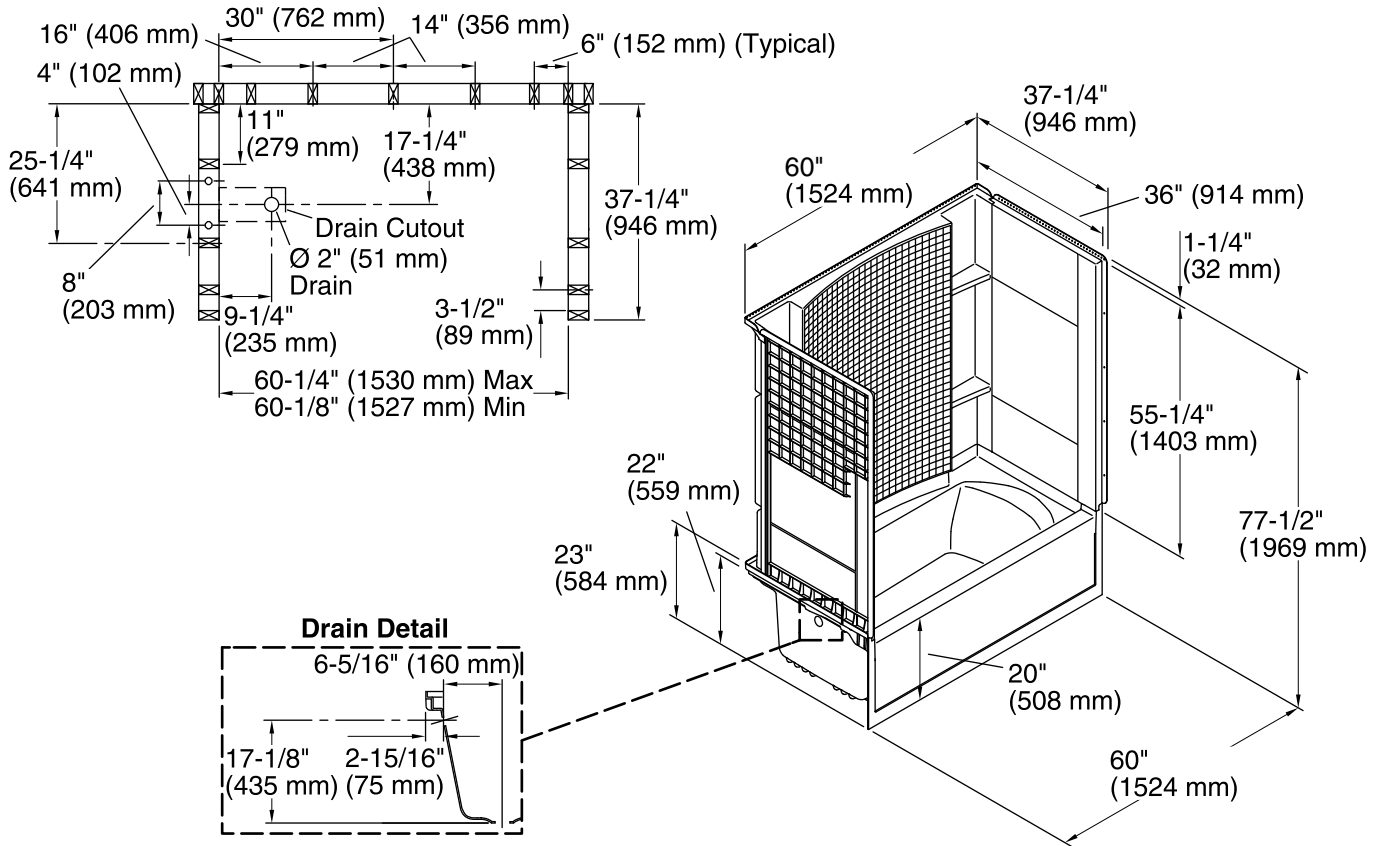
Warranty – Bathing Fixtures (and) Kitchen and Utility Sinks Made of Solid Vikrell® Material

See website for detailed warranty information.

Available Colors/Finishes

Color tiles intended for reference only.

| Color | Code | Description |
|--|------|----------------|
|  | 0 | White |
|  | 96 | KOHLER Biscuit |



Technical Information

All product dimensions are nominal.

| | |
|------------------------|--------------------------------------|
| Installation: | Three-wall alcove |
| Drain location: | Left |
| Basin area, bottom: | 22-7/8" x 46" (581 mm x 1168 mm) |
| Basin area, top: | 24-7/8" x 50-7/8" (632 mm x 1292 mm) |
| Water depth: | 15-1/8" (384 mm) |
| Water capacity: | 70 gal (265 L) |
| Minimum flat for door: | 2-3/4" (70 mm) |
| Maximum door height: | 55-7/8" (1419 mm) |
| Maximum door width: | 56-3/4" (1441 mm) |

Notes

- Install this product according to the installation instructions.
- Studs should be positioned roughly as shown.
- Double studding is recommended for pivot shower door installations.