



## Ensemble™

60" x 32" Tile Bath/Shower w/Backer Boards  
71120126



### Features

- Alcove installation
- 18" apron
- Vikrell material
- Right drain
- Tongue-and-groove walls with snap-together installation
- Tile look
- Some caulk required
- Corner shelves
- Aging in Place backerboards

### Included Components

Product consists of:

71124106 60" x 32" Wall Set w/Backer Boards

71121120 60" x 32" bath - right-hand drain



### Codes/Standards

CSA B45.5/IAPMO Z124

ASTM E162

ASTM E662

Greenguard UL 2818 - Gold



HUD, UM Bulletin 73

### Warranty – Bathing Fixtures (and) Kitchen and Utility Sinks Made of Solid Vikrell® Material

See website for detailed warranty information.

### Available Colors/Finishes

*Color tiles intended for reference only.*

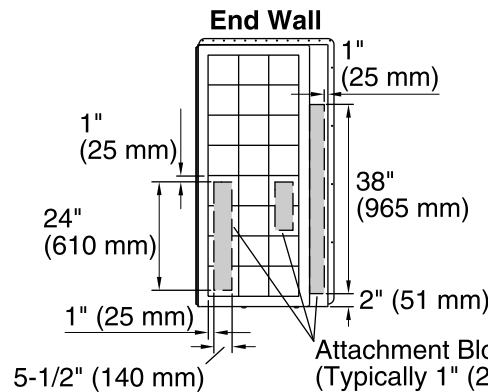
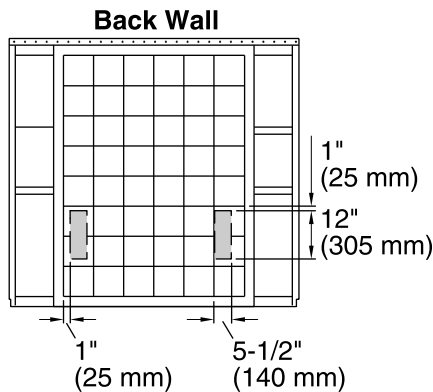
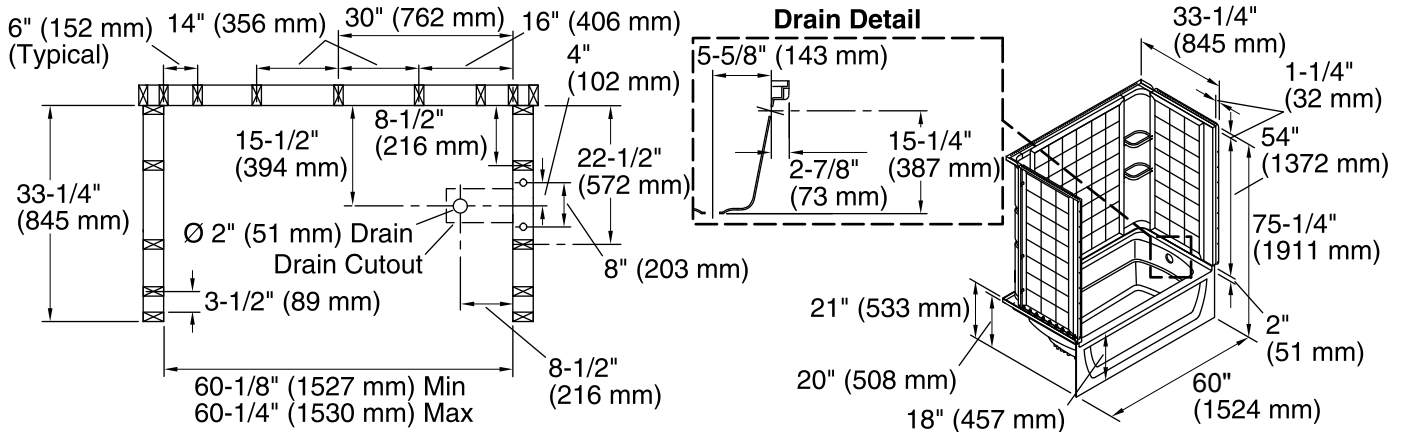
Color	Code	Description
	0	White
	96	KOHLER Biscuit

1-800-STERLING (1-800-783-7546)

Kohler Co. reserves the right to make revisions without notice to product specifications.

For the most current Specification Sheet, go to [www.sterlingplumbing.com](http://www.sterlingplumbing.com).

4-26-2019 00:17 - US



**Note:** Right and left end walls are the same, only mirrored.

Backer board locations  
Dimensions Taken From  
Center of Grout Lines

### Technical Information

All product dimensions are nominal.

Installation: Three-wall alcove

Drain location: Right

Basin area, bottom: 42" x 20" (1067 mm x 508 mm)

Basin area, top: 54" x 26" (1372 mm x 660 mm)

Water depth: 13-3/4" (349 mm)

Water capacity: 55 gal (208.2 L)

Minimum flat for door: 3" (76 mm)

Maximum door height: 55-1/2" (1410 mm)

Maximum door width: 57-11/16" (1465 mm)

### Notes

Install this product according to the installation instructions.

Studs should be positioned as shown.

Double studding is recommended for pivot shower door installations.

Attach grab bars at the specified backerboard locations only.