



Features

- Alcove installation
- 20" apron
- Vikrell material
- Left drain
- Tongue-and-groove walls with snap-together installation
- Tile look
- Some caulk required
- Corner shelves
- 3" drain-to-floor clearance for above-floor drain installation

Included Components

Product consists of:

- 71124100 60" x 32" Bath/Shower Wall Set
- 71121112 32" (813 mm) AFD Bath



Codes/Standards



- CSA B45.5/IAPMO Z124
- ASTM E162
- ASTM E662
- Greenguard UL 2818 - Gold
- HUD, UM Bulletin 73

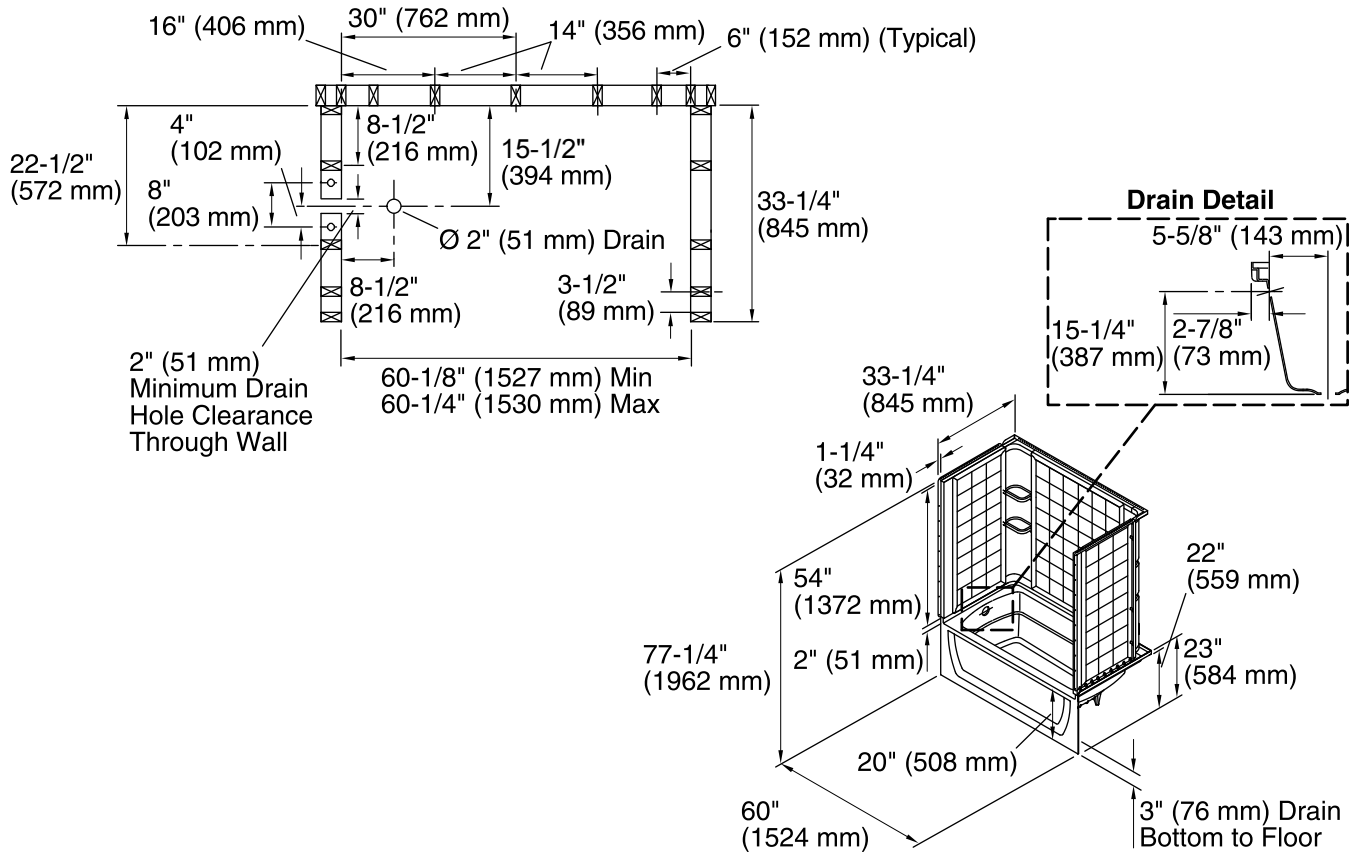
Warranty – Bathing Fixtures (and) Kitchen and Utility Sinks Made of Solid Vikrell® Material

See website for detailed warranty information.

Available Colors/Finishes

Color tiles intended for reference only.

Color	Code	Description
	0	White
	96	KOHLER Biscuit



Technical Information

All product dimensions are nominal.

Installation: Three-wall alcove

Drain location: Left

Basin area, bottom: 42" x 20" (1067 mm x 508 mm)

Basin area, top: 54" x 26" (1372 mm x 660 mm)

Water depth: 13" (330 mm)

Water capacity: 51 gal (193.1 L)

Minimum flat for door: 3" (76 mm)

Maximum door height: 55-1/2" (1410 mm)

Maximum door width: 57-11/16" (1465 mm)

Notes

Install this product according to the installation instructions.

Studs should be positioned roughly as shown.

Double studding is recommended for pivot shower door installations.