



# Ensemble™

60" x 42" Bath with Access Panel  
71111127



## Features

- Alcove installation
- 16" apron
- Vikrell material
- Right drain
- Compatible with tile-down installation
- Compatible with Ensemble wall set (71114100)
- Built-in armrests and contoured back
- Removable access panel



## ADA

### Codes/Standards



CSA B45.5/IAPMO Z124  
ASTM E162  
ASTM E662  
Greenguard UL 2818 - Gold  
ADA  
ICC/ANSI A117.1

### Warranty – Bathing Fixtures (and) Kitchen and Utility Sinks Made of Solid Vikrell® Material

See website for detailed warranty information.

### Available Colors/Finishes

*Color tiles intended for reference only.*

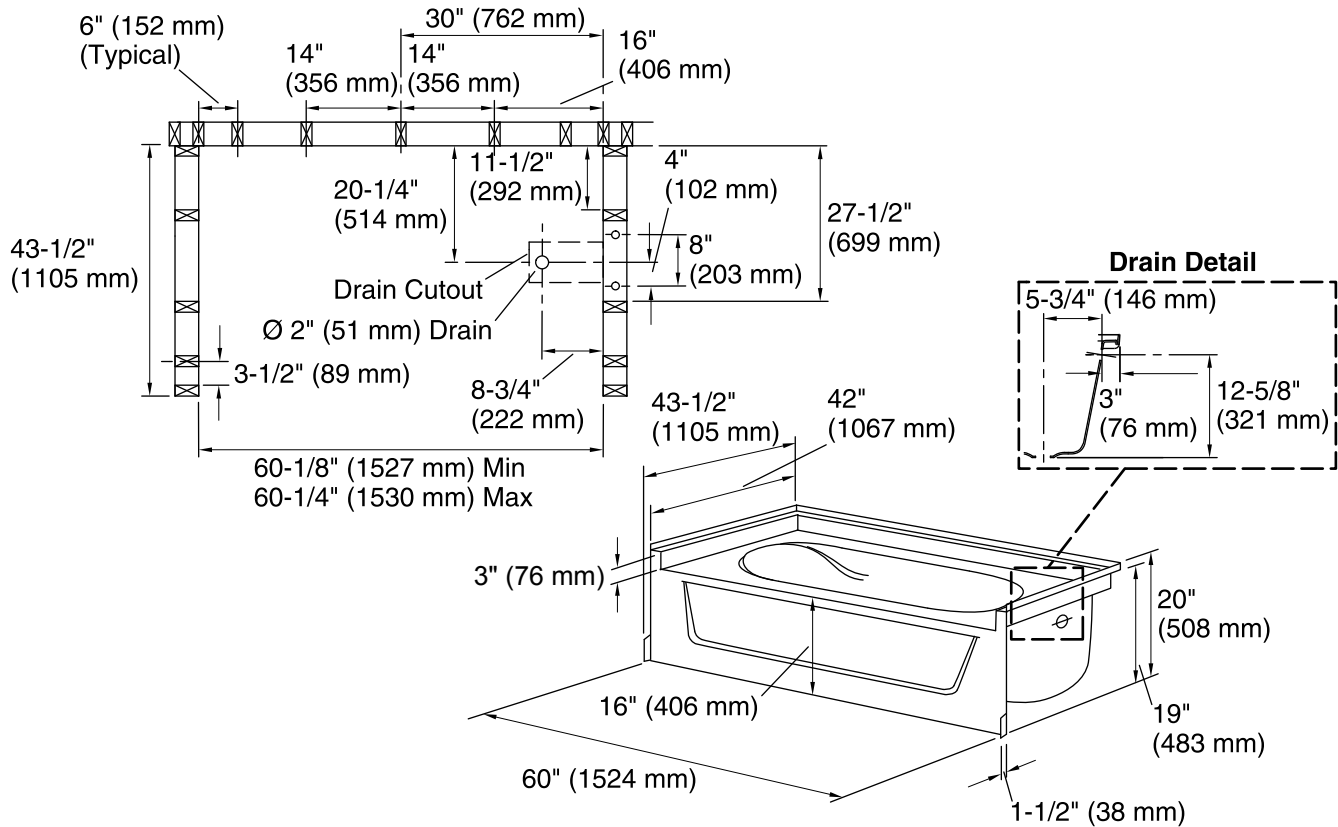
Color	Code	Description
	0	White
	96	KOHLER Biscuit

1-800-STERLING (1-800-783-7546)

Kohler Co. reserves the right to make revisions without notice to product specifications.

For the most current Specification Sheet, go to [www.sterlingplumbing.com](http://www.sterlingplumbing.com).

4-26-2019 00:16 - US



### Technical Information

All product dimensions are nominal.

- Installation: Three-wall alcove
- Drain location: Right
- Basin area, bottom: 40" x 27" (1016 mm x 686 mm)
- Basin area, top: 52" x 35" (1321 mm x 889 mm)
- Water depth: 11" (279 mm)
- Water capacity: 55 gal (208.2 L)
- Minimum flat for door: 3-1/4" (83 mm)
- Maximum door width: 58-1/2" (1486 mm)

### Notes

- Install this product according to the installation instructions.
- Studs should be positioned roughly as shown.
- Double studding is recommended for pivot shower door installations.
- ADA compliant when installed to the specific requirements of these regulations.