

Ensemble™
60" x 36" AFD Bath with Access Panel
71101129



Features

- Alcove installation
- 18-1/4" apron
- Vikrell material
- Right drain
- Compatible with tile-down installation
- Compatible with Ensemble wall set (71104100)
- Built-in armrests and contoured back
- 3" drain-to-floor clearance for above-floor drain installation
- Removable access panel



ADA

Codes/Standards



CSA B45.5/IAPMO Z124
ASTM E162
ASTM E662
Greenguard UL 2818 - Gold
ADA
ICC/ANSI A117.1

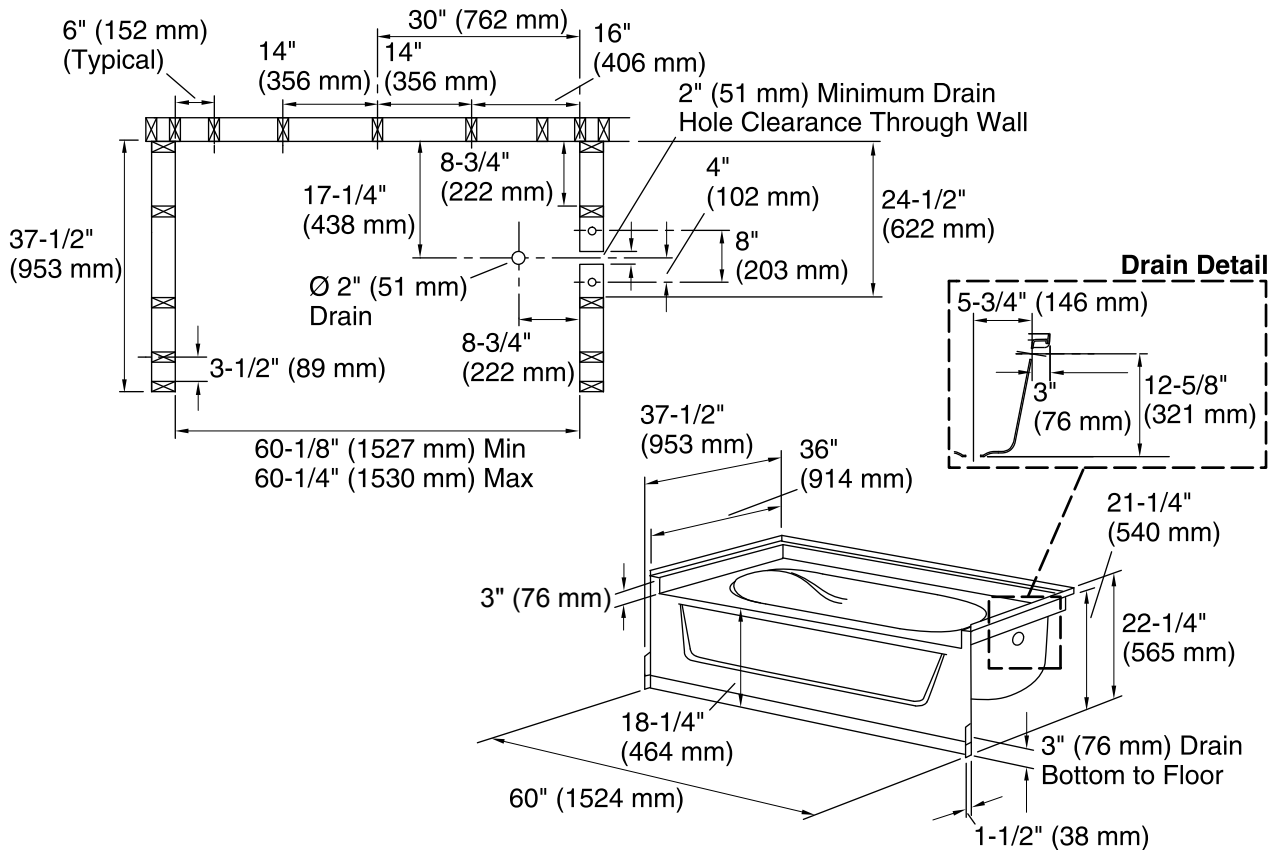
**Warranty – Bathing Fixtures (and)
Kitchen and Utility Sinks Made of Solid
Vikrell® Material**

See website for detailed warranty information.

Available Colors/Finishes

Color tiles intended for reference only.

Color	Code	Description
	0	White
	96	KOHLER Biscuit



Technical Information

All product dimensions are nominal.

Installation: Three-wall alcove

Drain location: Right

Basin area, bottom: 40" x 21" (1016 mm x 533 mm)

Basin area, top: 52" x 29" (1321 mm x 737 mm)

Water depth: 11" (279 mm)

Water capacity: 40 gal (151.4 L)

Minimum flat for door: 3-1/4" (83 mm)

Maximum door width: 58-1/2" (1486 mm)

Notes

Install this product according to the installation instructions.

Studs should be positioned roughly as shown.

Double studding is recommended for pivot shower door installations.

ADA compliant when installed to the specific requirements of these regulations.