



Ensemble™

60" x 36" AFD Bath with Access Panel
71101119



Features

- Alcove installation
- 18-1/4" apron
- Vikrell material
- Left drain
- Compatible with tile-down installation
- Compatible with Ensemble wall set (71104100)
- Built-in armrests and contoured back
- 3" drain-to-floor clearance for above-floor drain installation
- Removable access panel



ADA

Codes/Standards



CSA B45.5/IAPMO Z124
ASTM E162
ASTM E662
Greenguard UL 2818 - Gold
ADA
ICC/ANSI A117.1

Warranty – Bathing Fixtures (and) Kitchen and Utility Sinks Made of Solid Vikrell® Material

See website for detailed warranty information.

Available Colors/Finishes

Color tiles intended for reference only.

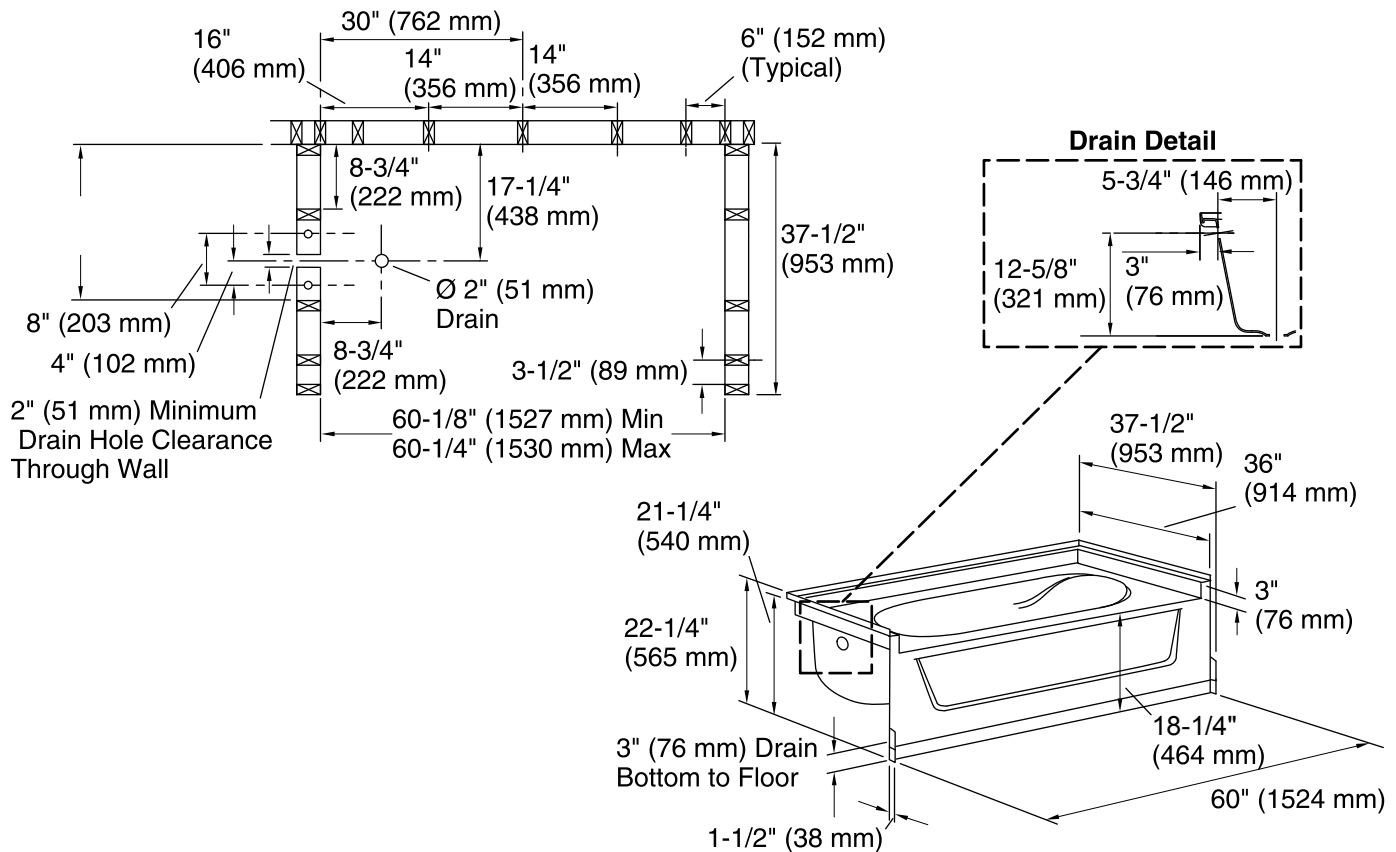
| Color | Code | Description |
|--|------|----------------|
|  | 0 | White |
|  | 96 | KOHLER Biscuit |

1-800-STERLING (1-800-783-7546)

Kohler Co. reserves the right to make revisions without notice to product specifications.

For the most current Specification Sheet, go to www.sterlingplumbing.com.

4-26-2019 00:14 - US



Technical Information

All product dimensions are nominal.

| | |
|------------------------|------------------------------|
| Installation: | Three-wall alcove |
| Drain location: | Left |
| Basin area, bottom: | 40" x 21" (1016 mm x 533 mm) |
| Basin area, top: | 52" x 29" (1321 mm x 737 mm) |
| Water depth: | 11" (279 mm) |
| Water capacity: | 40 gal (151.4 L) |
| Minimum flat for door: | 3-1/4" (83 mm) |
| Maximum door width: | 58-1/2" (1486 mm) |

Notes

- Install this product according to the installation instructions.
- Studs should be positioned roughly as shown.
- Double studding is recommended for pivot shower door installations.
- ADA compliant when installed to the specific requirements of these regulations.