

**Ensemble™**  
60" x 36" AFD Bath/Shower with Access Panel  
**71100119**



**Features**

- Alcove installation
- 18-1/4" apron
- Vikrell material
- Left drain
- Tongue-and-groove walls with snap-together modular design
- Tile look
- Some caulk required
- Corner shelves; built-in armrests and contoured back
- 3" drain-to-floor clearance for above-floor drain installation
- Removable access panel

**Included Components**

Product consists of:

- 71104100 60" x 36" Bath/Shower Wall Set
- 71101119 60" x 36" AFD Bath with Access Panel



**Codes/Standards**



- CSA B45.5/IAPMO Z124
- ASTM E162
- ASTM E662
- Greenguard UL 2818 - Gold
- HUD, UM Bulletin 73

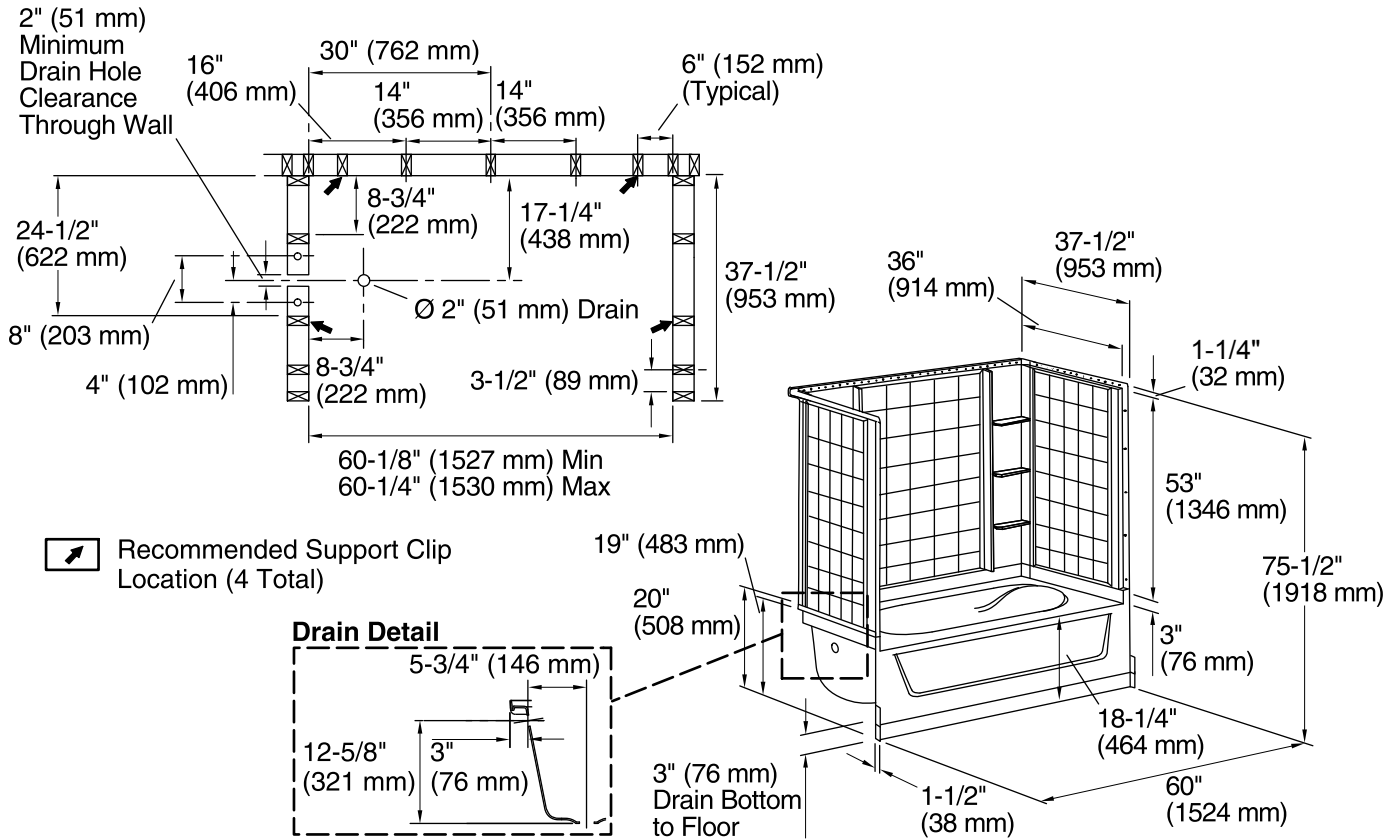
**Warranty – Bathing Fixtures (and) Kitchen and Utility Sinks Made of Solid Vikrell® Material**

See website for detailed warranty information.

**Available Colors/Finishes**

*Color tiles intended for reference only.*

Color	Code	Description
	0	White
	96	KOHLER Biscuit



### Technical Information

All product dimensions are nominal.

Installation:	Three-wall alcove
Drain location:	Left
Basin area, bottom:	40" x 21" (1016 mm x 533 mm)
Basin area, top:	52" x 29" (1321 mm x 737 mm)
Water depth:	11" (279 mm)
Water capacity:	40 gal (151.4 L)
Minimum flat for door:	3-1/4" (83 mm)
Maximum door height:	55-3/4" (1416 mm)
Maximum door width:	58-1/2" (1486 mm)

### Notes

Install this product according to the installation instructions.

Studs should be positioned roughly as shown.

Double studding is recommended for pivot shower door installations.