



**Features**

- Alcove installation
- 16" apron
- Vikrell material
- Left drain
- Tongue-and-groove walls with snap-together modular design
- Some caulk required
- Corner shelves; built-in armrests and contoured back
- Removable access panel

**Included Components**

Product consists of:

- 71104100 60" x 36" Bath/Shower Wall Set
- 71101117 60" x 36" Bath with Access Panel



**Codes/Standards**



- CSA B45.5/IAPMO Z124
- ASTM E162
- ASTM E662
- Greenguard UL 2818 - Gold
- HUD, UM Bulletin 73

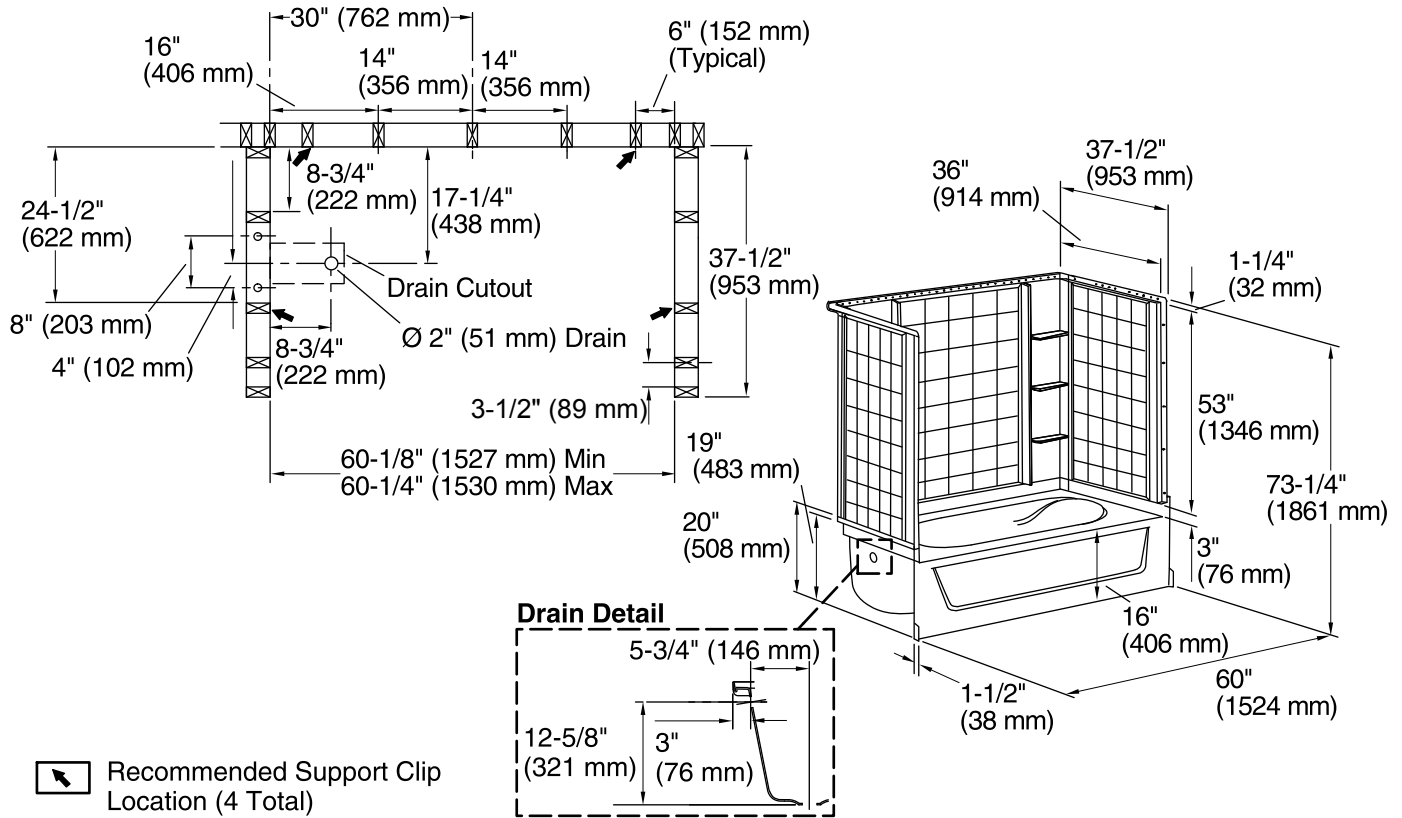
**Warranty – Bathing Fixtures (and) Kitchen and Utility Sinks Made of Solid Vikrell® Material**

See website for detailed warranty information.

**Available Colors/Finishes**

*Color tiles intended for reference only.*

Color	Code	Description
	0	White
	96	KOHLER Biscuit



### Technical Information

All product dimensions are nominal.

Installation: Three-wall alcove

Drain location: Left

Water depth: 11" (279 mm)

Water capacity: 40 gal (151.4 L)

Minimum flat for door: 3-1/4" (83 mm)

Maximum door height: 56-1/2" (1435 mm)

Maximum door width: 58-1/2" (1486 mm)

### Notes

Install this product according to the installation instructions.