



Standard Framed Sliding Bath Door 690B-52

Features

- Framed
- 1/8" glass
- Towel bar
- Out-of-plumb adjustability
- Tempered glass ensures maximum safety and durability
- Anodized aluminum prevents rusting and corrosion

Installation

- Not for use in hospitality.
- For residential use only.

Included Components

Additional Components:
Hardware kit



Codes/Standards

ANSI Z97.1
CPSC 16CFR 1201

STERLING® Warranty - Bath and Shower Doors

See website for detailed warranty information.

Available Colors/Finishes

Color tiles intended for reference only.

Color	Code	Description
-------	------	-------------

	S	
--	---	--

Available Glass Options

Code	Description
------	-------------

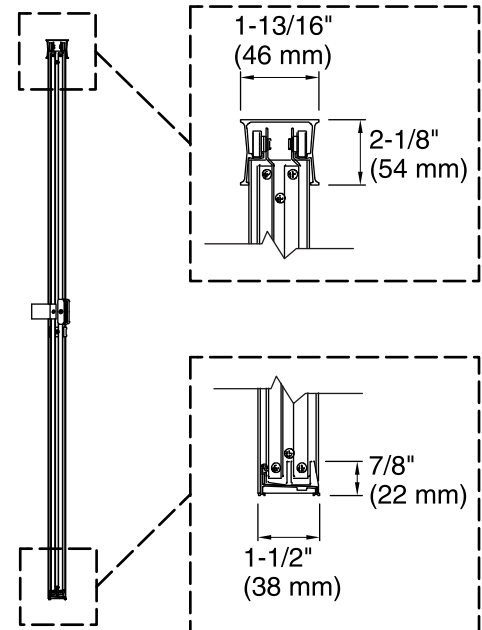
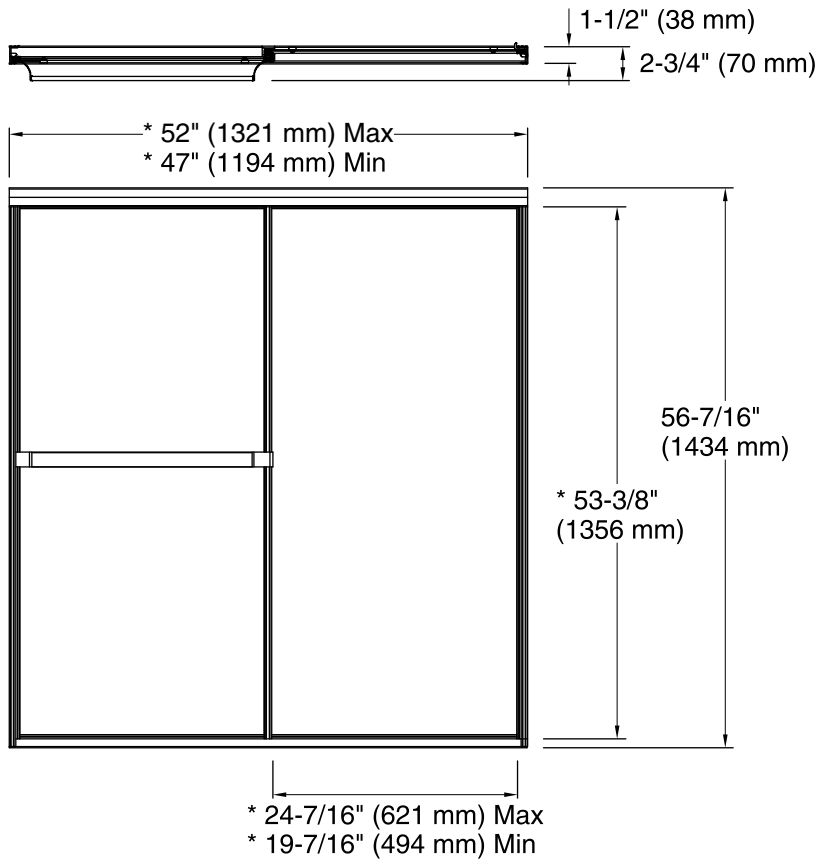
	Hammered
--	----------

1-800-STERLING (1-800-783-7546)

Kohler Co. reserves the right to make revisions without notice to product specifications.

For the most current Specification Sheet, go to www.sterlingplumbing.com.

4-25-2019 23:48 - US/CA



* Walk-through

Technical Information

All product dimensions are nominal.
 Installation type: For bath installation
 Opening Width - Min: 47" (1194 mm)
 Opening Width - Max: 52" (1321 mm)
 Walk-through - Min: 19-7/16" (494 mm)
 Walk-through - Max: 24-7/16" (621 mm)
 Glass thickness: 1/8" (3 mm)

Notes

Install this product according to the installation guide.
 The vertical opening should be a minimum of 57-15/16" (1472 mm) to allow for installation clearance.