



Finesse™

Frameless Pivot Shower Door

6305-30

Features

- Frameless
- 1/4" glass
- CleanCoat technology
- Knob handle
- Out-of-plumb adjustability
- Tempered glass ensures maximum safety and durability
- Anodized aluminum prevents rusting and corrosion

Installation

- Not for use in hospitality.
- For residential use only.

Included Components

Additional Components:

Hardware kit



Codes/Standards

ANSI Z97.1

CPSC 16CFR 1201

STERLING® Warranty - Bath and Shower Doors

See website for detailed warranty information.

Available Colors/Finishes

Color tiles intended for reference only.

Color	Code	Description
-------	------	-------------

DR

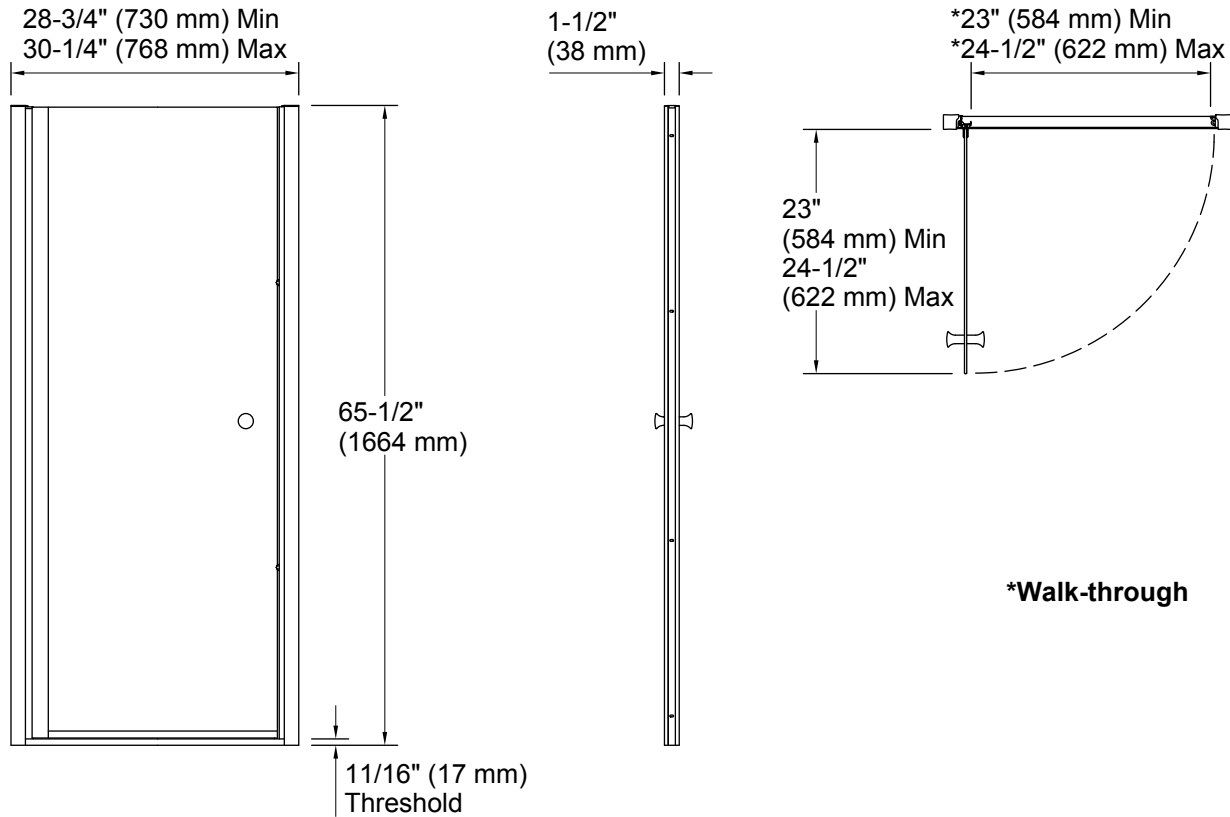
N

S

Available Glass Options

Code	Description
------	-------------

Clear



Technical Information

- All product dimensions are nominal.
- Installation type: For shower base installation
- Opening Width - Min: 28-3/4" (730 mm)
- Opening Width - Max: 30-1/4" (768 mm)
- Walk-through - Min: 23" (584 mm)
- Walk-through - Max: 24-1/2" (622 mm)
- Glass thickness: 1/4" (6 mm)
- Glass coating: CleanCoat®

Notes

- Install this product according to the installation guide.
- The vertical opening should be a minimum of 66" (1676 mm) to allow for installation clearance.