



OC-S-63

63" Shower w/Grab Bars

62060103



Features

- Alcove installation
- 1/2" threshold
- Solid Vikrell material
- Durable swirl-gloss finish
- Center drain
- Three-piece, tongue-and-groove walls with snap-together installation
- Caulk required
- Includes three factory-installed stainless steel grab bars

Included Components

Product consists of:

- 62065103 63" Shower End Wall Set w/Grab Bars
- 62061100 63" Shower Base
- 62062103 63" Shower Back Wall w/Grab Bar



ADA

Codes/Standards

- CSA B45.5/IAPMO Z124
- ASTM E162
- ASTM E662
- Greenguard UL 2818 - Gold
- ADA
- HUD, UM Bulletin 73



Warranty – Bathing Fixtures (and) Kitchen and Utility Sinks Made of Solid Vikrell® Material

STERLING® Warranty - Grab Bars

See website for detailed warranty information.

Available Colors/Finishes

Color tiles intended for reference only.

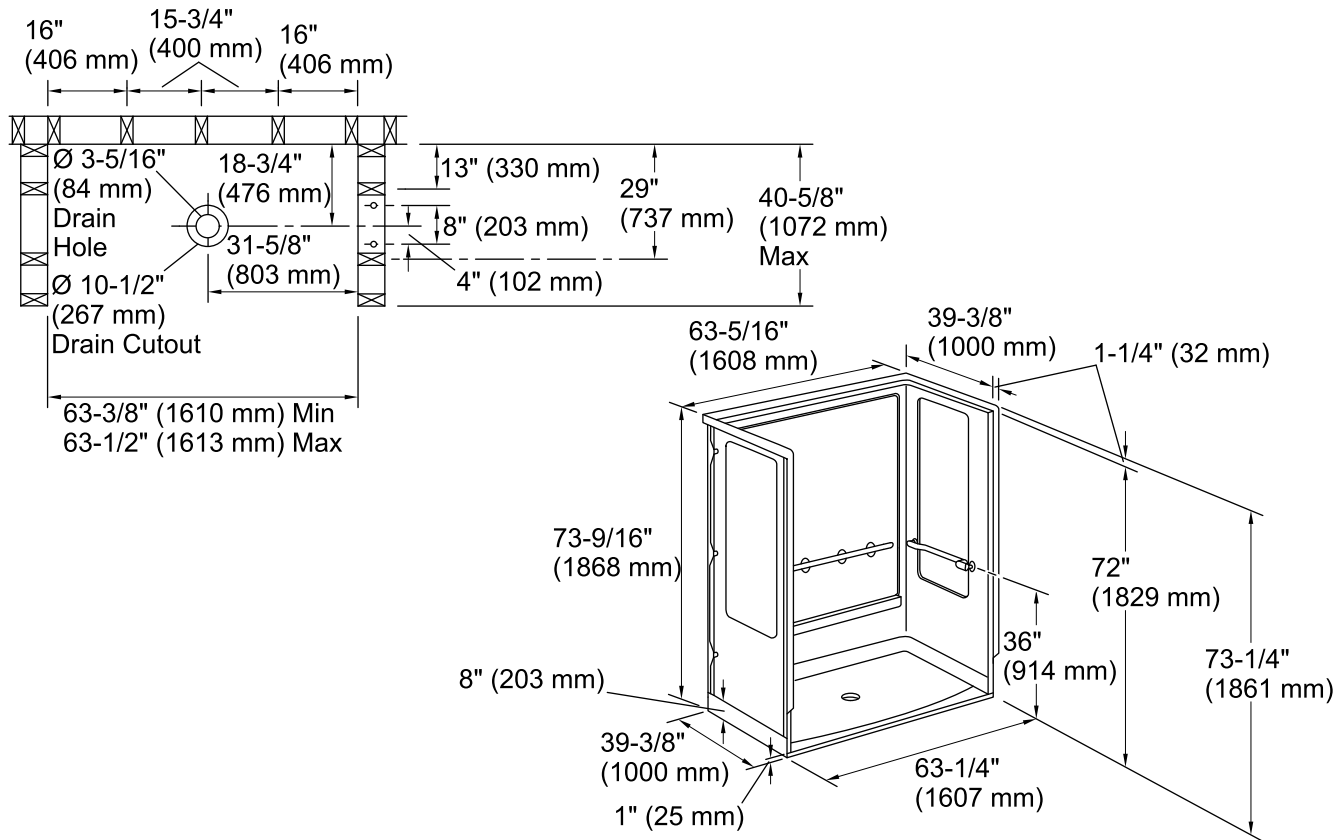
Color	Code	Description
	0	White
	96	KOHLER Biscuit

1-800-STERLING (1-800-783-7546)

Kohler Co. reserves the right to make revisions without notice to product specifications.

For the most current Specification Sheet, go to www.sterlingplumbing.com.

4-25-2019 23:24 - US



Technical Information

All product dimensions are nominal.

Installation: Three-wall alcove

Drain location: Center

Threshold height: 1/2" (13 mm)

Notes

Install this product according to the installation instructions.

Studs should be positioned as shown.

Backerboards and fasteners protrude beyond the back wall 1-1/2" (38 mm). If installing this product against wall board, 1-1/2" (38 mm) furring strips installed over the wall board are recommended. The stud pocket depth of 40-5/8" (1032 mm) will need to be increased by the combined thickness of the wall board and furring strips.

1/2" minimum finished floor thickness required.

Drain cutout in subfloor to be 10-1/2" (267 mm) per rough-in illustration as shown to allow the backside of the drain to sit below the subfloor surface.

ADA compliant when installed to the specific requirements of these regulations.