



All Pro® 60" Bath/Shower w/Backer Boards 61040116



Features

- Alcove installation
- 15" apron
- Solid Vikrell material
- Left drain
- Three-piece, tongue-and-groove walls with snap together installation
- Lightly textured swirl-gloss finish
- Full caulking required in all seams
- Four shelves, 18" towel bar
- Aging in Place backerboards

Included Components

Product consists of:

61041110 60" Bath

61044106 60" Bath/Shower Wall Set w/Backer Boards



Codes/Standards

CSA B45.5/IAPMO Z124

ASTM E162

ASTM E662

Greenguard UL 2818 - Gold



HUD, UM Bulletin 73

Warranty – Bathing Fixtures (and) Kitchen and Utility Sinks Made of Solid Vikrell® Material

See website for detailed warranty information.

Available Colors/Finishes

Color tiles intended for reference only.

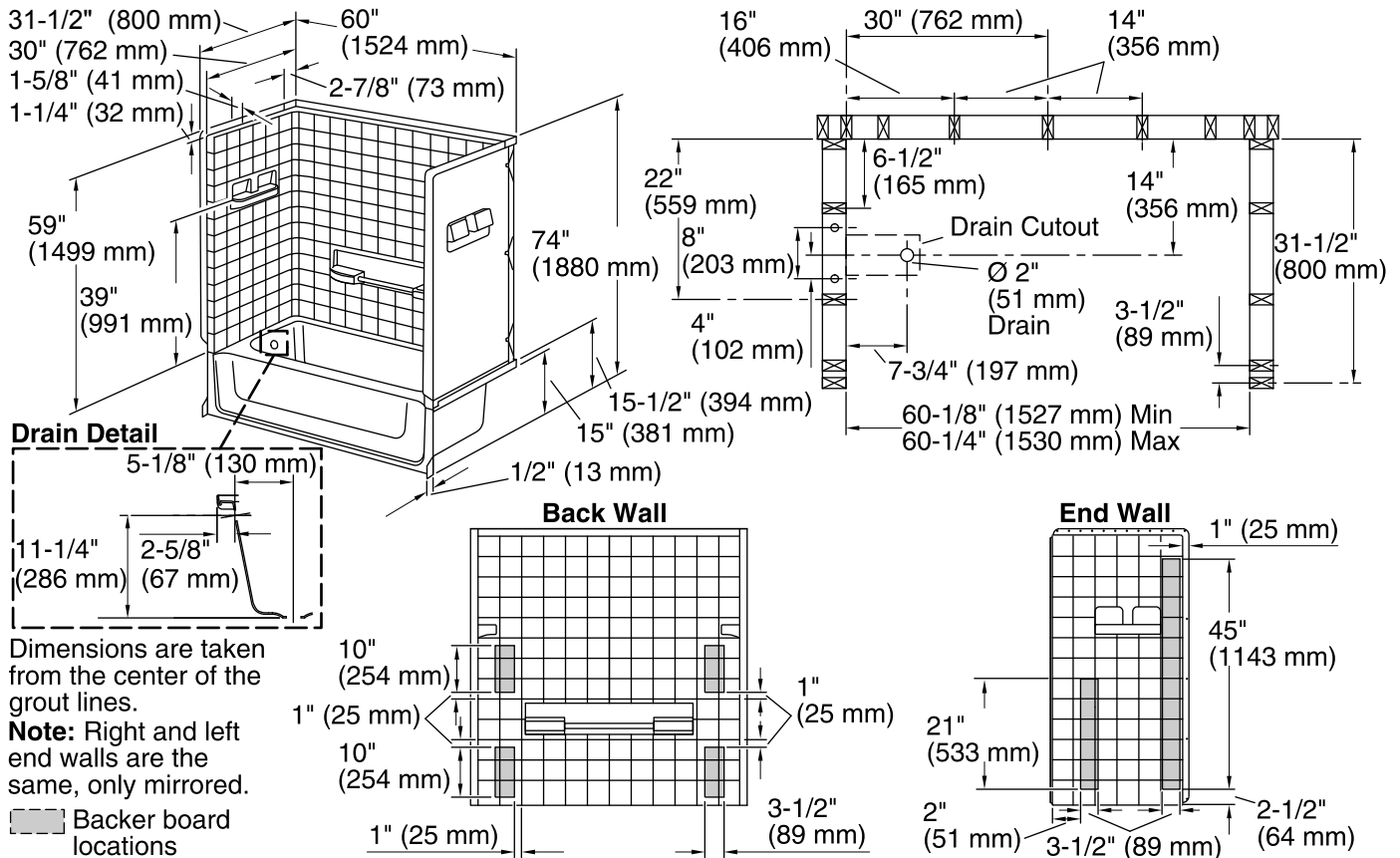
Color	Code	Description
	0	White
	96	KOHLER Biscuit

1-800-STERLING (1-800-783-7546)

Kohler Co. reserves the right to make revisions without notice to product specifications.

For the most current Specification Sheet, go to www.sterlingplumbing.com.

4-25-2019 23:19 - US



Technical Information

All product dimensions are nominal.

Installation:	Three-wall alcove
Drain location:	Left
Basin area, bottom:	48" x 21" (1219 mm x 533 mm)
Basin area, top:	55" x 23" (1397 mm x 584 mm)
Water depth:	9-3/8" (238 mm)
Water capacity:	44 gal (166.6 L)
Minimum flat for door:	2-1/4" (57 mm)
Maximum door height:	59-1/2" (1511 mm)
Maximum door width:	56-3/4" (1441 mm)

Notes

Install this product according to the installation instructions.

Double studing is recommended for pivot shower door installations.

Studs should be positioned roughly as shown.

Attach grab bars at the specified backerboard locations only.