



Deluxe

Sliding bath door, 56-1/4" H x 59-3/8" W
5905-3G05

Features

- 1/8" (3 mm) thick tempered and fully framed Clear glass ensures maximum safety and durability.
- Bypass system allows for easy access and suits your bathroom layout whether your showerhead is on the right or left.
- Reversible top track and towel bar allow a choice between rounded or accented design.
- Continuous bottom track guide system for smooth, quiet, and stable operation.
- Made in the U.S.A.

Material

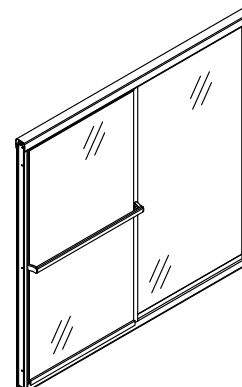
- Anodized aluminum prevents rust and corrosion.

Installation

- Fits opening widths 54-3/8" - 59-3/8" (1381 - 1508 mm).
- Requires 2" (51 mm) minimum threshold depth.
- Out-of-plumb adjustability simplifies installation.
- For residential use only.
- Not for use in hospitality.

Included Components

Additional Components:
Hardware Kit



Codes/Standards

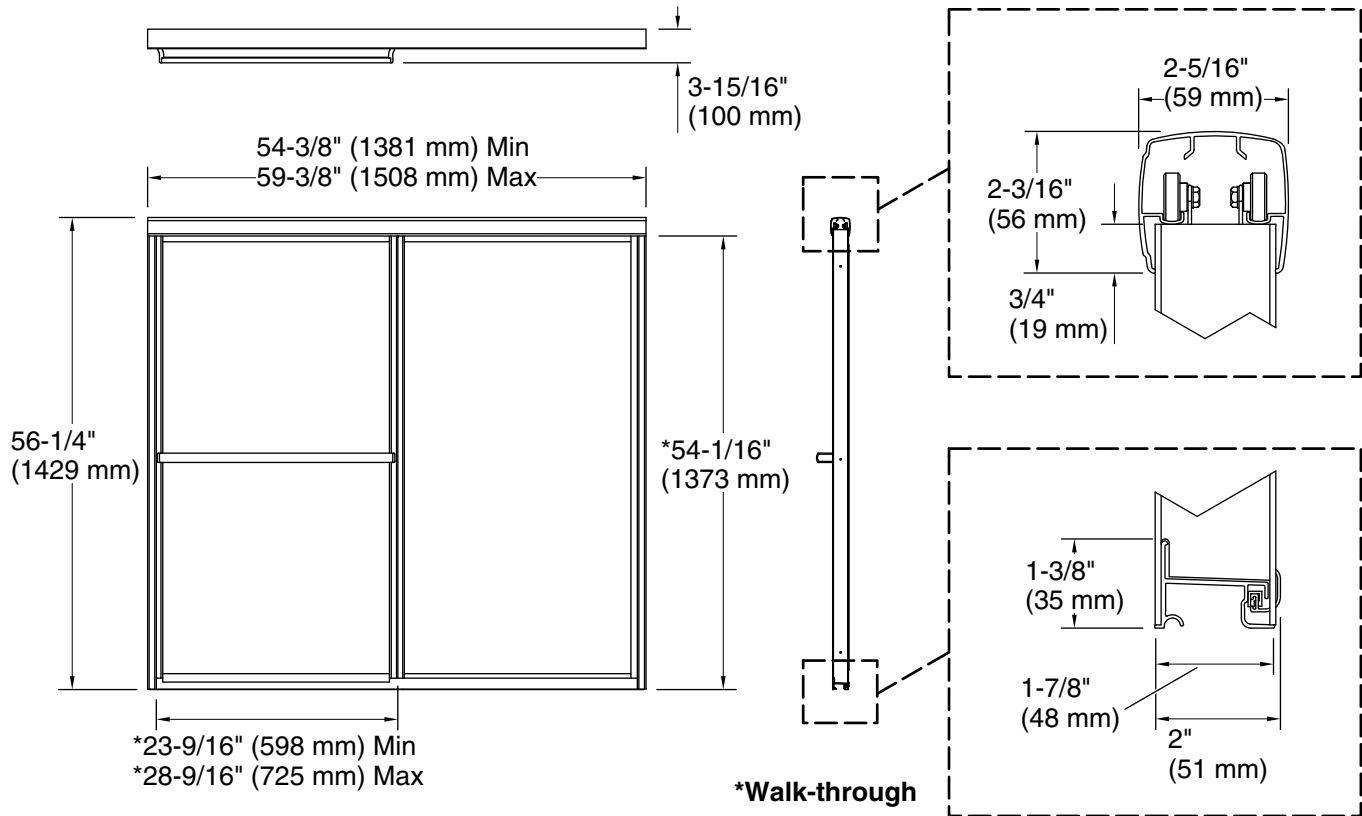
ANSI Z97.1
CPSC 16CFR 1201

STERLING® Bath and Shower Doors Three-Year Limited Warranty

See website for detailed warranty information.

Available Glass Options

Code	Description
G05	Clear



Technical Information

- All product dimensions are nominal.
- Installation type: For bath installation
- Opening Width - Min: 54-3/8" (1381 mm)
- Opening Width - Max: 59-3/8" (1508 mm)
- Walk-through - Min: 23-9/16" (599 mm)
- Walk-through - Max: 28-9/16" (726 mm)
- Base-To-Wall Radius - Max: 1/2" (13 mm)
- Glass thickness: 1/8" (3 mm)

Notes

- Install this product according to the installation instructions.
- The vertical opening should be a minimum of 57-11/16" (1465 mm) to allow for installation clearance.