



Deluxe

65-1/2" H pivot shower door with 1/8"-thick glass

572119-3G06

Features

- Full-length magnetic door latch
- 5" (127 mm) inline panel 5/32" (4 mm) thick
- Tempered glass ensures enhanced safety and durability

Material

- Framed, 1/8" (3 mm) thick Rain tempered glass
- Anodized aluminum prevents rust and corrosion

Installation

- Fits opening widths 31-1/4" – 36" (794 – 914 mm)
- 65-1/2" (1664 mm) high, with 64" (1626 mm) minimum head clearance
- 3/8" (10-mm) out-of-plumb adjustability on each side simplifies installation
- Door can be installed to open to the left or right to suit your bathroom layout
- For residential use only
- Not for use in hospitality



Codes/Standards

ANSI Z97.1
CAN/CGSB-12.1
CPSC 16CFR 1201


STERLING® Bath and Shower Doors Five-Year Limited Warranty

See website for detailed warranty information.

Available Colors/Finishes

Color tiles intended for reference only.

Color	Code	Description
-------	------	-------------

	S	Silver
---	---	--------

Available Glass Options

Code	Description
------	-------------

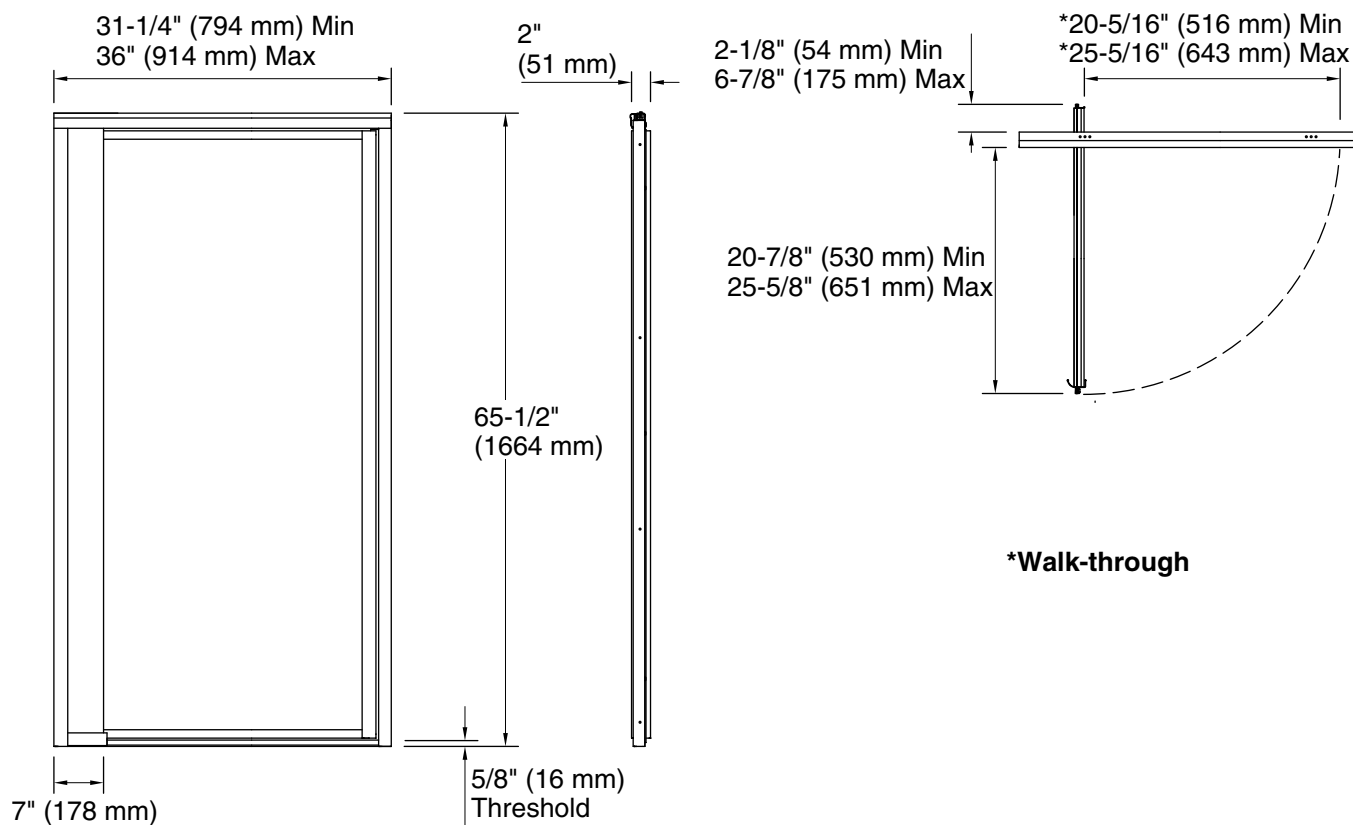
G06	Rain
-----	------

1-800-STERLING (1-800-783-7546)

Kohler Co. reserves the right to make revisions without notice to product specifications.

For the most current Specification Sheet, go to www.sterlingplumbing.com.

2-21-2024 21:22 - US



***Walk-through**

Technical Information

All product dimensions are nominal.

- Base-To-Wall 3/8" (10 mm)
- Radius – Max:
- Shower Ledge Min 1-1/8" (29 mm)
- Flat:
- Shower Wall Min 1-1/4" (32 mm)
- Flat:

Notes

The vertical opening should be a minimum of 67" (1702 mm) to allow for installation clearance.