



# Deluxe 65-1/2" H sliding shower door with 1/8"-thick glass 572114-G10

### Features

- Reversible top track and towel bar allow a choice between rounded or accented design.
- Tempered glass ensures enhanced safety and durability.
- Continuous guide mechanism for smooth, quiet sliding action and easy cleaning.

### Material

- Framed, 1/8" (3 mm) thick Pebbled tempered glass.
- Anodized aluminum prevents rust and corrosion.

### Installation

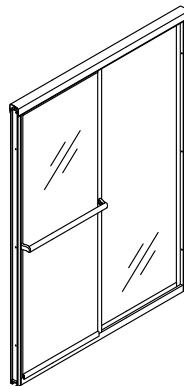
- Fits opening widths 43-7/8" – 48-7/8" (1114 – 1241 mm).
- 65-1/2" (1664 mm) high, with 63-5/16" (1608 mm) minimum head clearance.
- 3/8" (10-mm) out-of-plumb adjustability on each side simplifies installation.
- Door can be installed to open to the left or right to suit your bathroom layout.
- For residential use only.
- Not for use in hospitality.

### Recommended Products/Accessories

K-23723 Faucet cleaner

### Included Components

Additional Components:  
Hardware kit



### Codes/Standards

ANSI Z97.1  
CPSC 16CFR 1201

### STERLING® One-Year Limited Warranty

See website for detailed warranty information.

### Available Colors/Finishes

*Color tiles intended for reference only.*

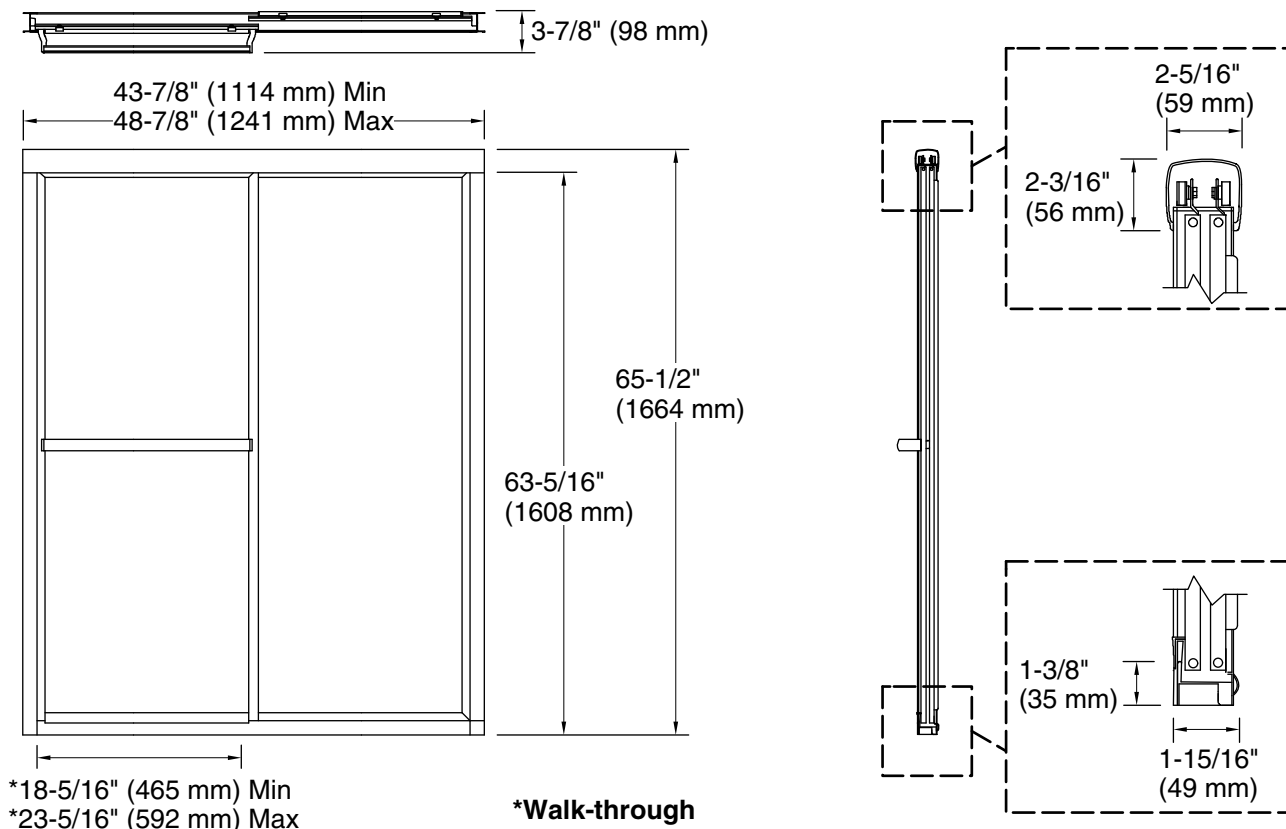
Color	Code	Description
-------	------	-------------

	N	
--	---	--

### Available Glass Options

Code	Description
------	-------------

G10	Pebbled
-----	---------



### Technical Information

All product dimensions are nominal.

Installation type:	For shower base installation
Opening Width - Min:	43-7/8" (1114 mm)
Opening Width - Max:	48-7/8" (1241 mm)
Walk-through - Min:	18-5/16" (465 mm)
Walk-through - Max:	23-5/16" (592 mm)
Base-To-Wall Radius - Max:	1/2" (13 mm)
Glass thickness:	1/8" (3 mm)

### Notes

The vertical opening should be a minimum of 67" (1702 mm) to allow for installation clearance.