

Features

- Frameless, 1/4-inch-thick (6mm) clear tempered glass.
- Double rollers provide a smooth gliding action to give a quality feel for years to come.
- Magnetic seal keeps door firmly closed, providing excellent water containment.
- Knob handle keeps the design line simple and unobstructed.
- Low threshold (1-3/4-inch) for easy entry and exit.
- CleanCoat® glass treatment repels water for improved ease of cleaning.
- Detachable bottom rollers for ease of cleaning.
- Available in Silver (S) finish.
- Door can be installed to open right or left, depending on your preference.
- Pre-assembled frame and out-of-plumb adjustability for simple installation with no cutting.

Installation

- Not for use in hospitality.
- For residential use only.

Recommended Products/Accessories

1296811 Whiston™ Door Filler Jamb

Included Components

Additional Components:
Hardware kit



Codes/Standards

ANSI Z97.1
CPSC 16CFR 1201

STERLING® Warranty - Bath and Shower Doors

See website for detailed warranty information.

Available Colors/Finishes

Color tiles intended for reference only.

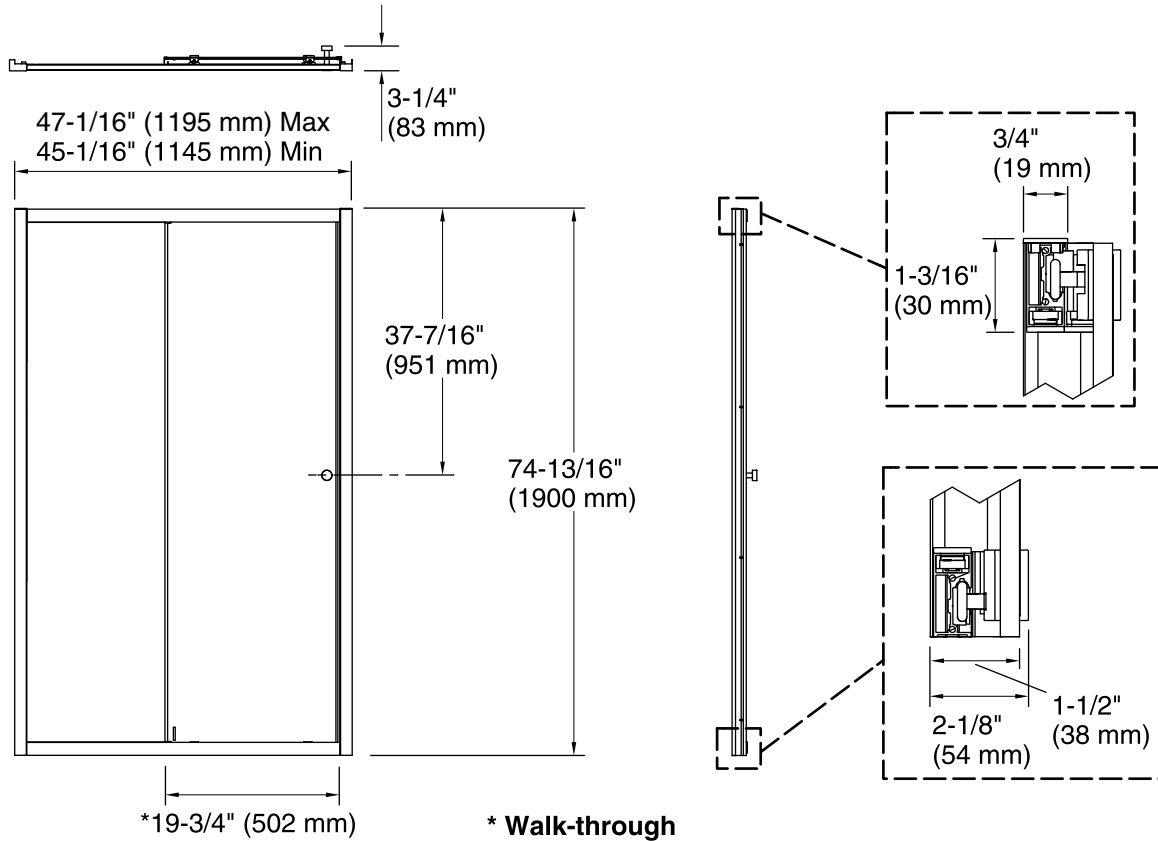
Color	Code	Description
-------	------	-------------

	S	
--	---	--

Available Glass Options

Code	Description
------	-------------

G05	Clear
-----	-------



* Walk-through

Technical Information

All product dimensions are nominal.

- Installation type: For shower base installation
- Opening Width - Min: 45-1/16" (1145 mm)
- Opening Width - Max: 47-1/16" (1195 mm)
- Walk-through - Min: 19-3/4" (501 mm)
- Walk-through - Max: 19-3/4" (501 mm)
- Glass thickness: 1/4" (6 mm)
- Glass coating: CleanCoat®

Notes

- Install this product according to the installation instructions.
- The vertical opening should be a minimum of 75" (1905 mm) to allow for installation clearance.