

Features

- Framed
- 3/16" glass
- ComforTrack technology
- Exterior towel bar
- Out-of-plumb adjustability
- Tempered glass ensures maximum safety and durability
- Anodized aluminum prevents rusting or corrosion

Installation

- Not for use in hospitality.
- For residential use only.

Included Components

Additional Components:
Hardware kit



Codes/Standards

ANSI Z97.1
CPSC 16CFR 1201

STERLING® Warranty - Bath and Shower Doors

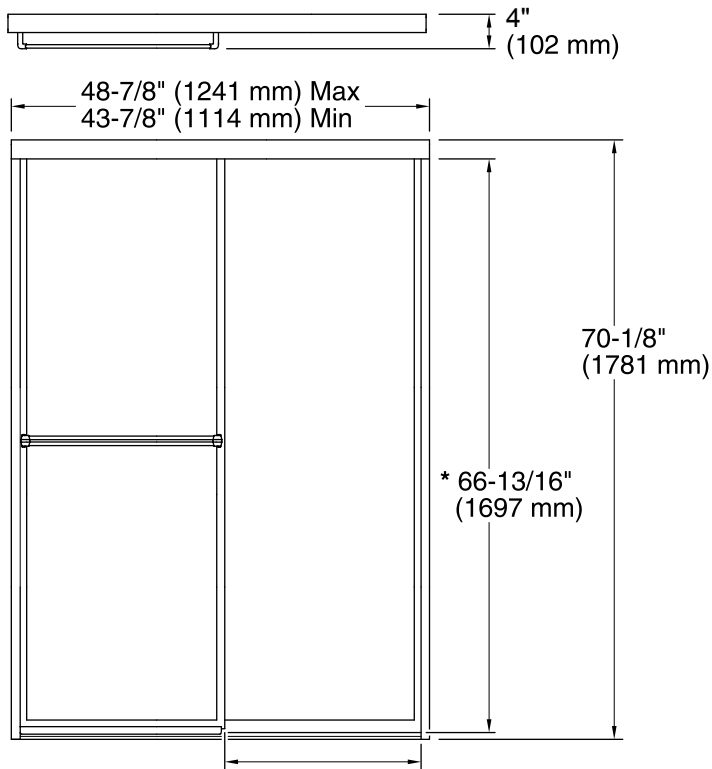
See website for detailed warranty information.

Available Colors/Finishes

Color tiles intended for reference only.

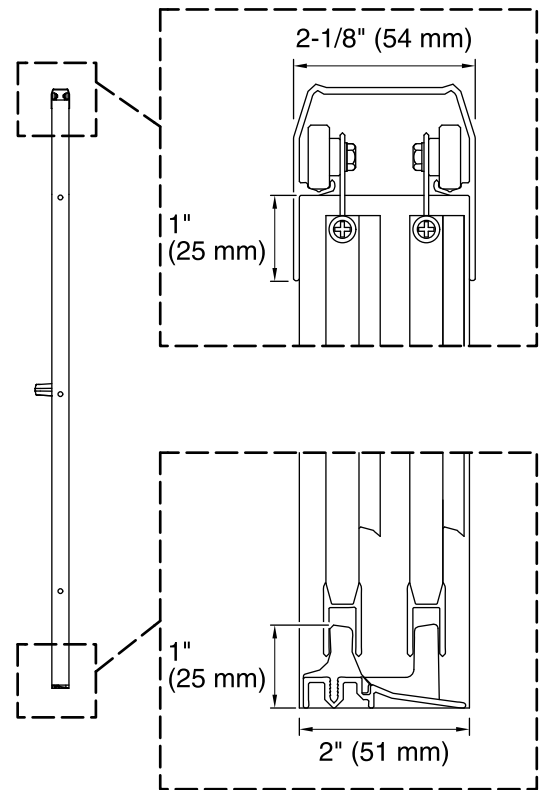
Color Code Description

ADR
N
S



* 22-15/16" (583 mm) Max
* 20-7/16" (519 mm) Min

* Walk-Through



Technical Information

All product dimensions are nominal.

- Installation type: For shower base installation
- Opening style: Sliding/Bypass
- Opening Width - Min: 43-7/8" (1114 mm)
- Opening Width - Max: 48-7/8" (1241 mm)
- Walk-through - Min: 20-7/16" (519 mm)
- Walk-through - Max: 22-15/16" (583 mm)
- Glass thickness: 3/16" (5 mm)

Notes

Install this product according to the installation guide.