



# Finesse™ Peak®

## Headerless Frameless Pivot Shower Door

### 5698-42

#### Features

- Heavy 1/4" glass for strength and stability
- CleanCoat® technology creates a barrier between the water and the glass to help keep the door looking like new
- 3/8" (10 mm) out of plumb adjustability allows for easy installation.
- Left or right hand installation
- Tempered glass ensures maximum safety and durability

#### Installation

- Not for use in hospitality.
- For residential use only.

#### Included Components

Additional Components:  
Hardware kit



#### Codes/Standards

ANSI Z97.1  
CPSC 16CFR 1201

#### STERLING® Warranty - Bath and Shower Doors

See website for detailed warranty information.

#### Available Colors/Finishes

*Color tiles intended for reference only.*

Color	Code	Description
-------	------	-------------

	ADR	
--	-----	--

	N	
--	---	--

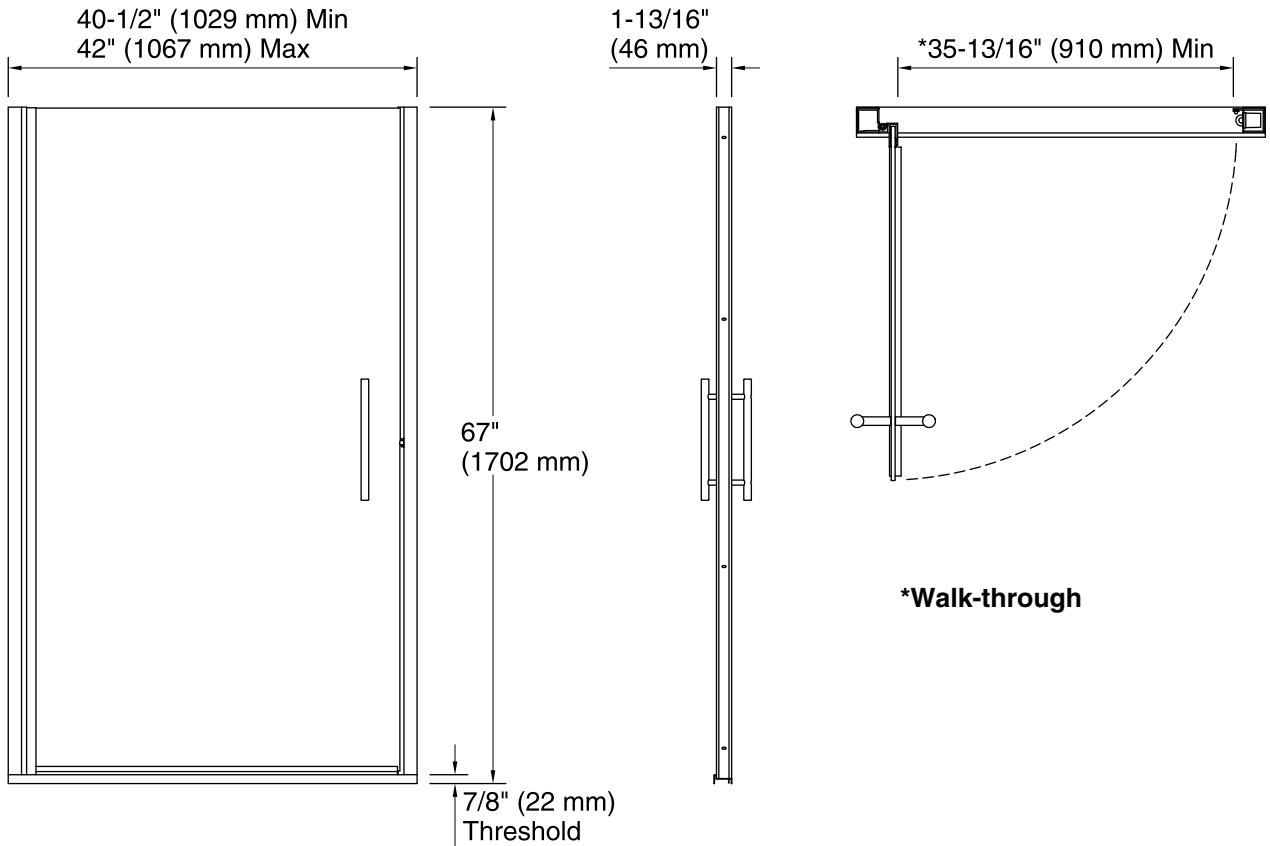
	S	
--	---	--

#### Available Glass Options

Code	Description
------	-------------

G05	Clear
-----	-------

G03	Frosted
-----	---------



**\*Walk-through**

**Technical Information**

All product dimensions are nominal.  
 Installation type: For shower base installation  
 Opening Width - Min: 40-1/2" (1029 mm)  
 Opening Width - Max: 42" (1067 mm)  
 Walk-through - Min: 35-13/16" (909 mm)  
 Glass thickness: 1/4" (6 mm)  
 Glass coating: CleanCoat®

**Notes**

Install this product according to the installation instructions.  
 The vertical opening should be a minimum of 67" (1702 mm) to allow for installation clearance.