



Finesse™

Frameless Sliding Shower Door

5485-48

Features

- CleanCoat® technology creates a barrier between the water and glass to help keep your shower door looking new. Standard on all frameless doors.
- Sliding shower door
- Nickel frame finish
- Smooth, quiet operation
- Includes two towel bars

Installation

- Not for use in hospitality.
- For residential use only.

Included Components

Additional Components:
Hardware kit



Codes/Standards

ANSI Z97.1
CPSC 16CFR 1201

STERLING® Warranty - Bath and Shower Doors

See website for detailed warranty information.

Available Colors/Finishes

Color tiles intended for reference only.

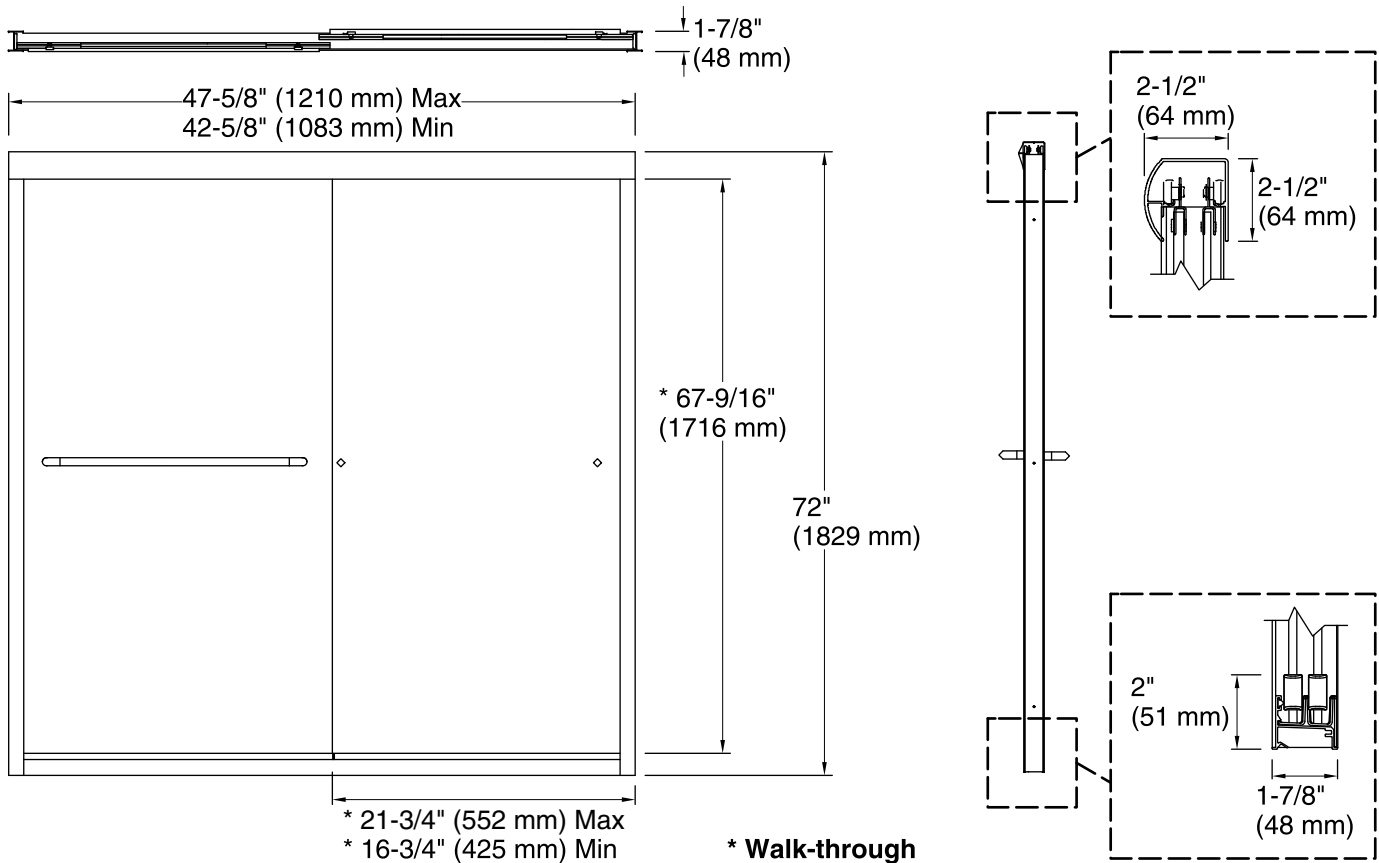
Color	Code	Description
-------	------	-------------

	N	
--	---	--

Available Glass Options

Code	Description
------	-------------

	Lake Mist™
--	------------



Technical Information

All product dimensions are nominal.

Installation type: For shower base installation

Opening Width - Min: 42-5/8" (1083 mm)

Opening Width - Max: 47-5/8" (1210 mm)

Walk-through - Min: 16-3/4" (425 mm)

Walk-through - Max: 21-3/4" (552 mm)

Glass thickness: 1/4" (6 mm)

Glass coating: CleanCoat®

Notes

Install this product according to the installation guide.

The vertical opening should be a minimum of 74" (1880 mm) to allow for installation clearance.