



Finesse™ Quick Install™

Frameless Sliding Shower Door

5365EZ-45

Features

- CleanCoat® technology creates a barrier between the water and glass to help keep your shower door looking new. Standard on all frameless doors.
- No cutting or drilling required
- Frameless style minimizes framing around the glass
- Interior and exterior towel bars included
- Limited 5-year warranty

Installation

- Not for use in hospitality.
- For residential use only.

Included Components

Additional Components:

- Hardware kit
- hex wrench



Codes/Standards

ANSI Z97.1
CPSC 16CFR 1201

STERLING® Warranty - Bath and Shower Doors

See website for detailed warranty information.

Available Colors/Finishes

Color tiles intended for reference only.

| Color | Code | Description |
|-------|------|-------------|
|-------|------|-------------|

N

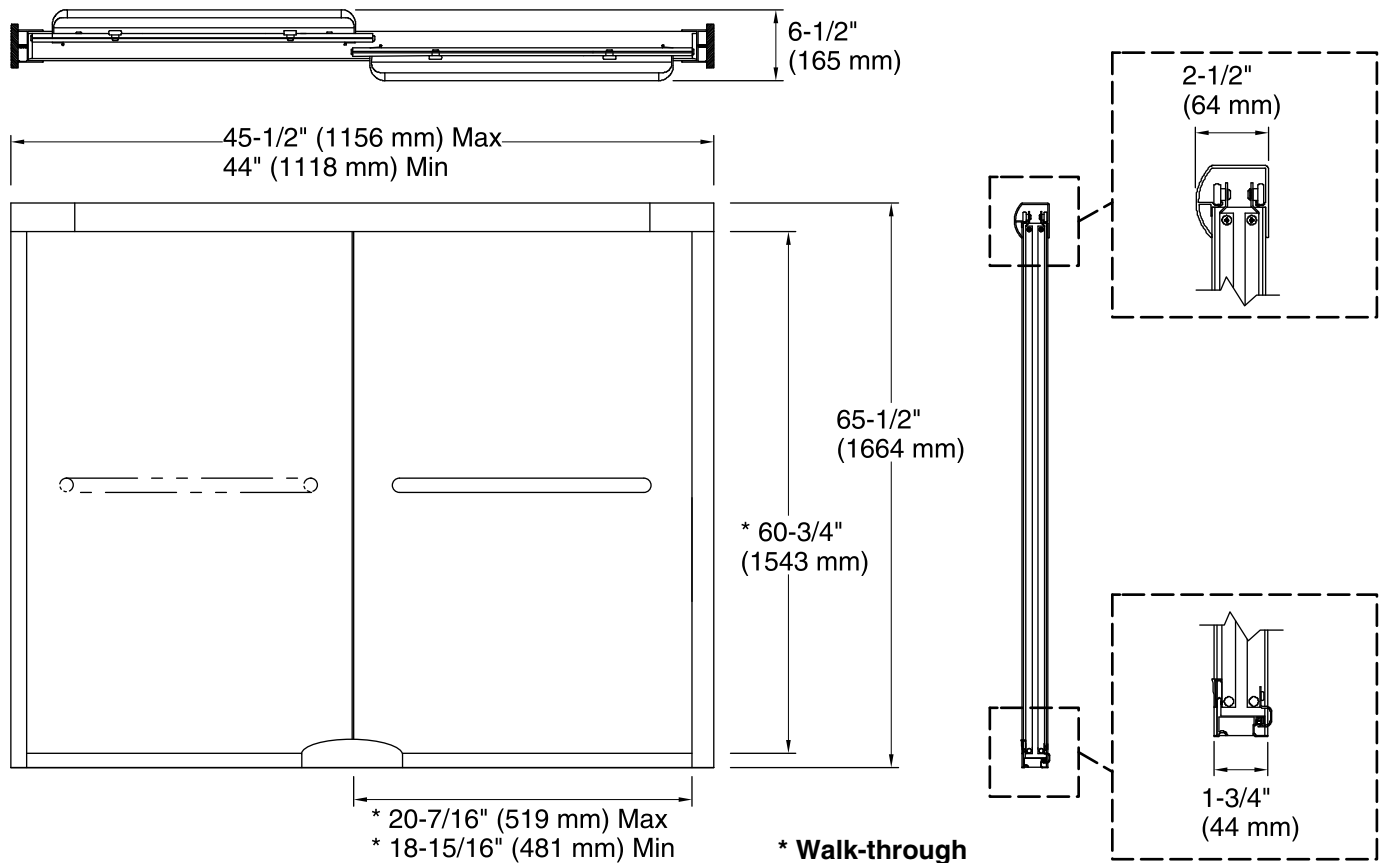
S

Available Glass Options

| Code | Description |
|------|-------------|
|------|-------------|

Clear

Lake Mist™



Technical Information

All product dimensions are nominal.

Installation type: For shower base installation

Opening Width - Min: 44" (1118 mm)

Opening Width - Max: 45-1/2" (1156 mm)

Walk-through - Min: 18-15/16" (481 mm)

Walk-through - Max: 20-7/16" (519 mm)

Glass thickness: 1/4" (6 mm)

Glass coating: CleanCoat®

Notes

Install this product according to the installation guide.

The vertical opening should be a minimum of 67-1/2" (1715 mm) to allow for installation clearance.