



# Worthington™

## Wall-mount Lavatory

### 442038

### Features

- Barrier-free, wall-mount installation
- Grade A vitreous china with a hard, glossy finish
- 8" widespread faucet holes
- Center drain and overflow
- ADA-compliant when installed per the requirements of the Accessibility Guidelines, Section 606 Lavatories and Sinks, of the Act

### Included Components

Additional Components:

- Hanger(s)
- Vitreous Lav



ADA

### Codes/Standards

ASME A112.19.2/CSA B45.1

All applicable US Federal and State material regulations

ADA

ICC/ANSI A117.1

### STERLING® Brand Five-Year Limited Warranty – R11402-2PC-NA

See website for detailed warranty information.

### Available Colors/Finishes

*Color tiles intended for reference only.*

#### Color Code Description

■	0	White
---	---	-------

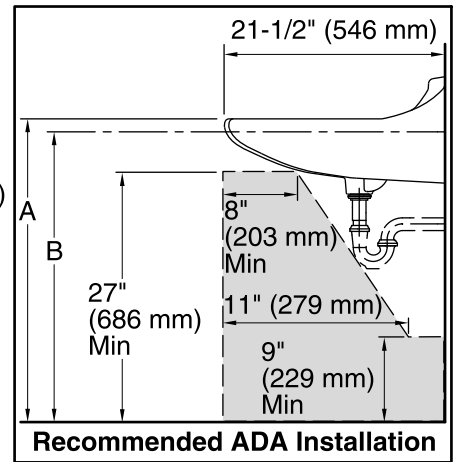
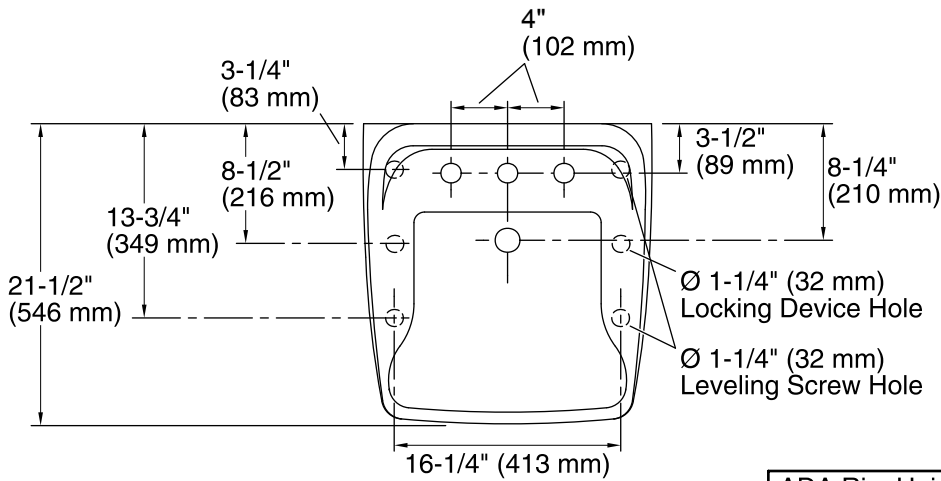
---

1-800-STERLING (1-800-783-7546)

Kohler Co. reserves the right to make revisions without notice to product specifications.

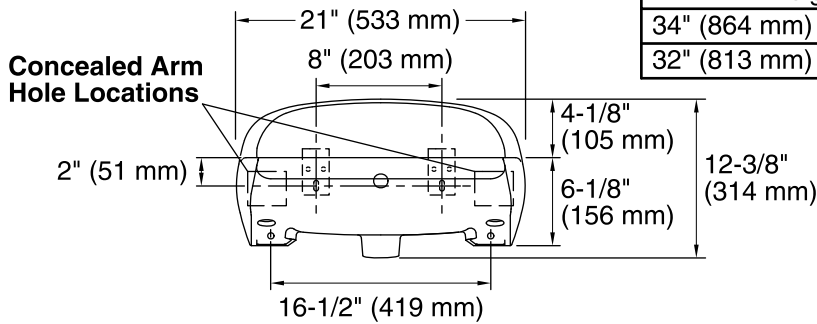
For the most current Specification Sheet, go to [www.sterlingplumbing.com](http://www.sterlingplumbing.com).

4-25-2019 22:09 - US/CA



**Recommended ADA Installation**

ADA Rim Height = A	ADA Arm Carrier Height = B
34" (864 mm) Max	32" (813 mm) Max
32" (813 mm) Min	30" (762 mm) Min



**Standard Installation**

**Technical Information**

All product dimensions are nominal.  
 Bowl configuration: Single  
 Installation: Wall-mount  
 Bowl area: With overflow: Yes

**Notes**

Install this product according to the installation instructions.  
 ADA compliant when installed to the specific requirements of these regulations.