



# Worthington™

Wall-Mount Lavatory  
442034

## Features

- Barrier-free, wall-mount installation
- Grade A vitreous china with a hard, glossy finish
- 4" centerset faucet holes
- Center drain and overflow

## Included Components

Additional Components:  
Hanger(s)



ADA

## Codes/Standards

ASME A112.19.2/CSA B45.1  
ADA  
ICC/ANSI A117.1


## STERLING® Brand Five-Year Limited Warranty – R11402-2PC-NA

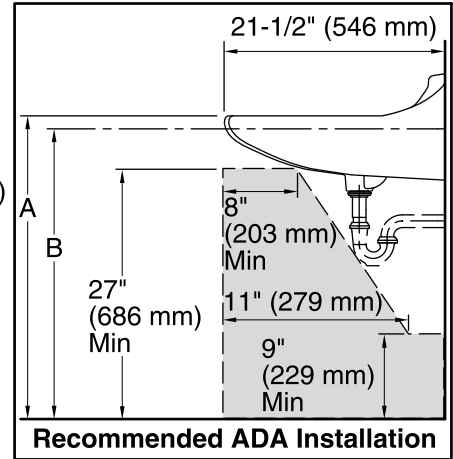
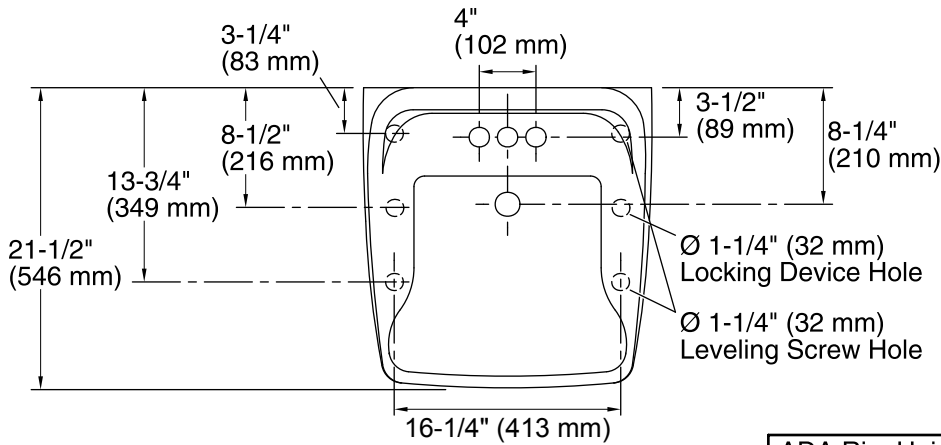
See website for detailed warranty information.

## Available Colors/Finishes

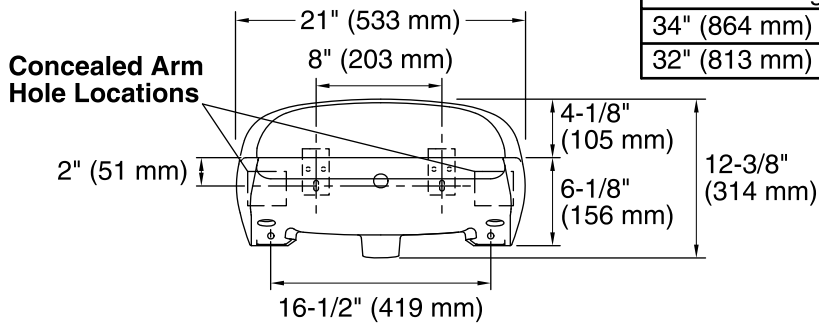
*Color tiles intended for reference only.*

| Color | Code | Description |
|-------|------|-------------|
|-------|------|-------------|

|  |   |       |
|--|---|-------|
|  | 0 | White |
|--|---|-------|



| ADA Rim Height = A | ADA Arm Carrier Height = B |
|--------------------|----------------------------|
| 34" (864 mm) Max   | 32" (813 mm) Max           |
| 32" (813 mm) Min   | 30" (762 mm) Min           |



**Standard Installation**

**Technical Information**

All product dimensions are nominal.

Bowl configuration: Single

Installation: Wall-mount

Bowl area: With overflow: Yes

**Notes**

Install this product according to the installation instructions.

ADA compliant when installed to the specific requirements of these regulations.