



Worthington™

Wall-mount Lavatory

442031

Features

- Barrier-free, wall-mount installation
- Grade A vitreous china with a hard, glossy finish
- Single faucet hole
- Center drain and overflow

Included Components

Additional Components:

- Hanger(s)
- Vitreous Lav



ADA

Codes/Standards

ASME A112.19.2/CSA B45.1

All applicable US Federal and State material regulations

ADA

ICC/ANSI A117.1

STERLING® Brand Five-Year Limited Warranty – R11402-2PC-NA

See website for detailed warranty information.

Available Colors/Finishes

Color tiles intended for reference only.

Color Code Description

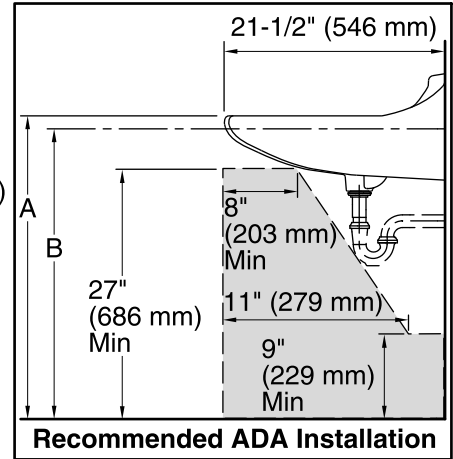
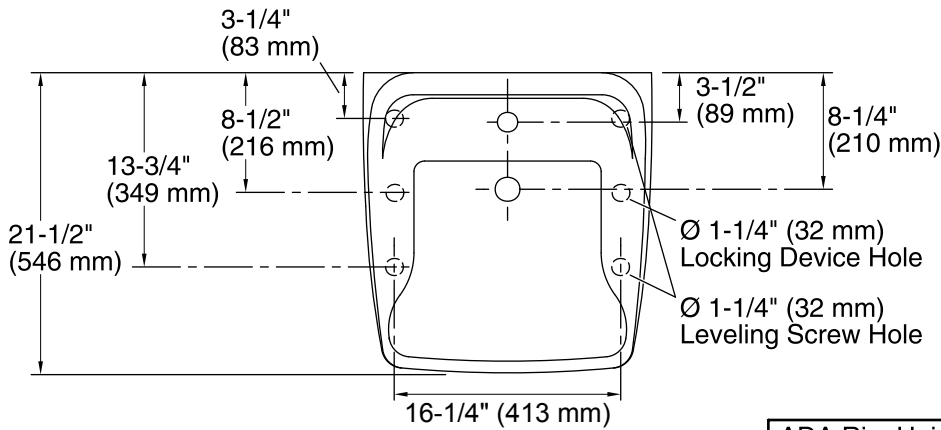
■ 0 White

1-800-STERLING (1-800-783-7546)

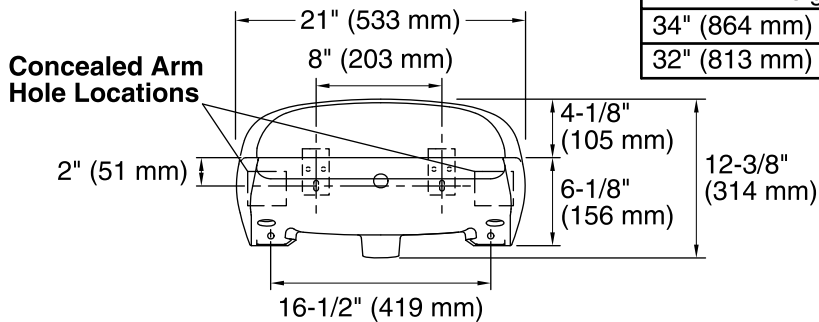
Kohler Co. reserves the right to make revisions without notice to product specifications.

For the most current Specification Sheet, go to www.sterlingplumbing.com.

4-25-2019 22:09 - US/CA



ADA Rim Height = A	ADA Arm Carrier Height = B
34" (864 mm) Max	32" (813 mm) Max
32" (813 mm) Min	30" (762 mm) Min



Standard Installation

Technical Information

All product dimensions are nominal.

Bowl configuration: Single

Installation: Wall-mount

Bowl area: With overflow: Yes

Notes

Install this product according to the installation instructions.

ADA compliant when installed to the specific requirements of these regulations.