



Windham™ Pro Force® Toilet 403082-RA

Features

- Two-piece installation
- 12" rough-in
- Elongated bowl
- Luxury Height
- 1.28 gallons per flush
- Pro Force flushing technology
- Three-bolt quick-connect installation system

Recommended Products/Accessories

- K-4636 Cachet® Quiet-Close™ Elongated Toilet Seat
- K-5588 Purefresh® Elongated Toilet Seat
- K-4108 C3®-230 Elongated Cleansing Toilet Seat
- K-5420 Low-Profile Bolt Caps

Included Components

Product consists of:

- 404551-RA Toilet Tank
- 403315 Toilet Bowl

Additional Components:

- Bolt caps (pair)
- Tank cover
- tank hardware accessory pack
- trip lever



ADA **CSA B651** **OBC**

Codes/Standards



- ASME A112.19.2/CSA B45.1
- EPA WaterSense®
- California Energy Commission (CEC)
- ADA
- ICC/ANSI A117.1
- CSA B651
- OBC

STERLING® Warranty - Toilets and Lavatories

See website for detailed warranty information.

Available Colors/Finishes

Color tiles intended for reference only.

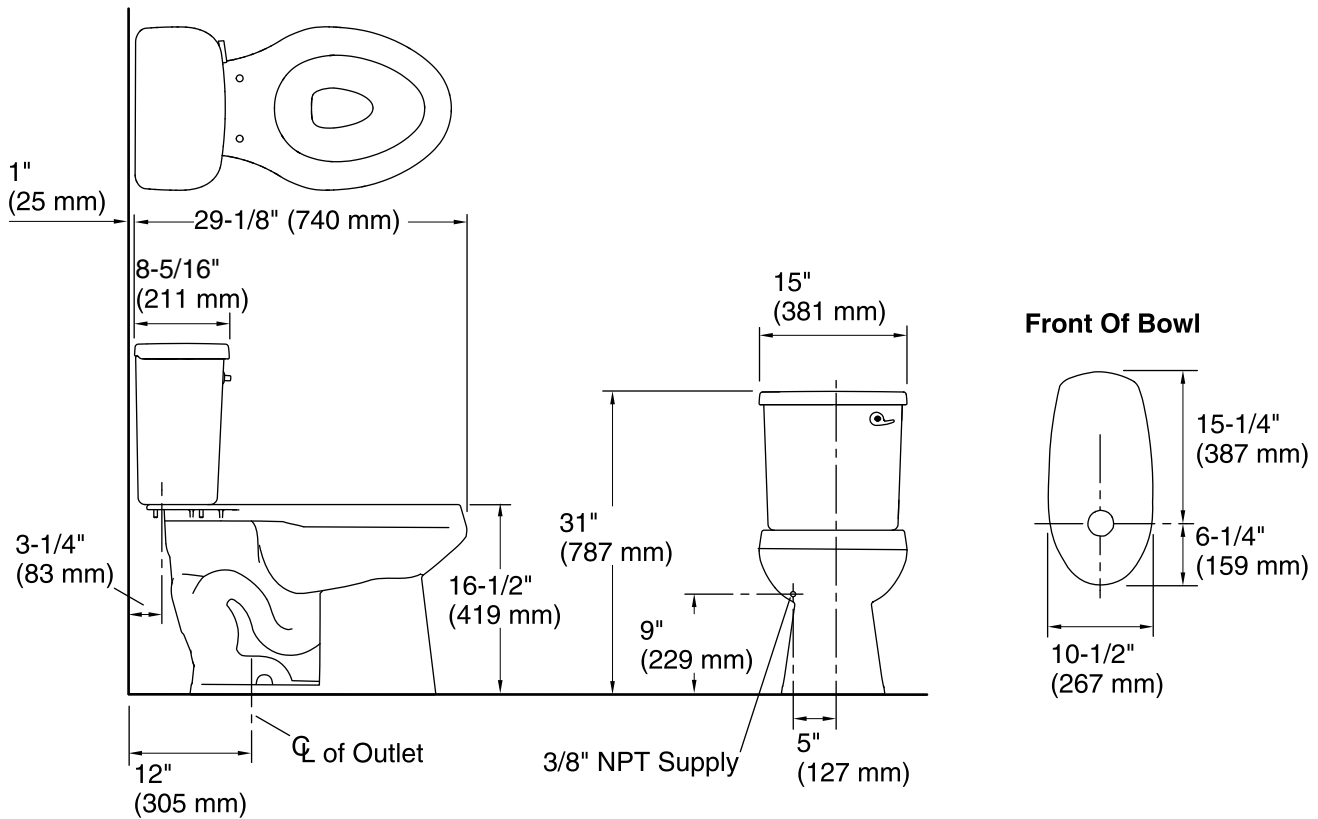
Color	Code	Description
	0	White
	96	KOHLER Biscuit

1-800-STERLING (1-800-783-7546)

Kohler Co. reserves the right to make revisions without notice to product specifications.

For the most current Specification Sheet, go to www.sterlingplumbing.com.

4-25-2019 21:57 - US



Technical Information

All product dimensions are nominal.

Toilet type:	Two-piece
Bowl shape:	Elongated
Flush type:	Gravity siphon rim jet
Trap passageway:	2" (51 mm)
Water Consumption	
Full:	1.28 gpf (4.8 lpf)
Water surface size:	8" x 10" (203 mm x 254 mm)
Rough-in:	12" (305 mm)
Seat-mounting holes:	5-1/2" (140 mm)

Notes

Install this product according to the installation instructions.

Measure your actual product for roughing-in details.

ADA, OBC, CSA B651 compliant when installed to the specific requirements of these regulations.

Plumbing codes may require elongated toilets and elongated, open-front seats in public bathrooms.

Accessibility standards may require controls to be located on the open side of the toilet.