



Stinson® Comfort Height®

Pro Force® Toilet

402375

Features

- Two-piece installation
- 12" rough-in
- Elongated bowl
- Comfort Height
- 1.6 gallons per flush
- Pro Force flushing technology
- Limited 5-year warranty
- Three-bolt quick-connect installation system
- ADA-adaptable when installed per the requirements of the Accessibility Guidelines, Section 604 Water Closets, of the Act; Certified to Canadian Standards

Recommended Products/Accessories

K-20466 Stonewood® Quiet-Close™ Elongated Toilet Seat
K-20454 Ridgewood® Quiet-Close™ Elongated Toilet Seat
K-5420 Low-Profile Bolt Caps

Included Components

Product consists of:

402071 Toilet Tank
403370 Luxury Height® Elongated Bowl

Additional Components:

Bolt caps (pair)
Tank cover
tank hardware accessory pack
trip lever



ADA CSA B651 OBC

Codes/Standards



ASME A112.19.2/CSA B45.1
DOE - Energy Policy Act 1992
ADA
ICC/ANSI A117.1
CSA B651
OBC

STERLING® Warranty - Toilets and Lavatories

See website for detailed warranty information.

Available Colors/Finishes

Color tiles intended for reference only.

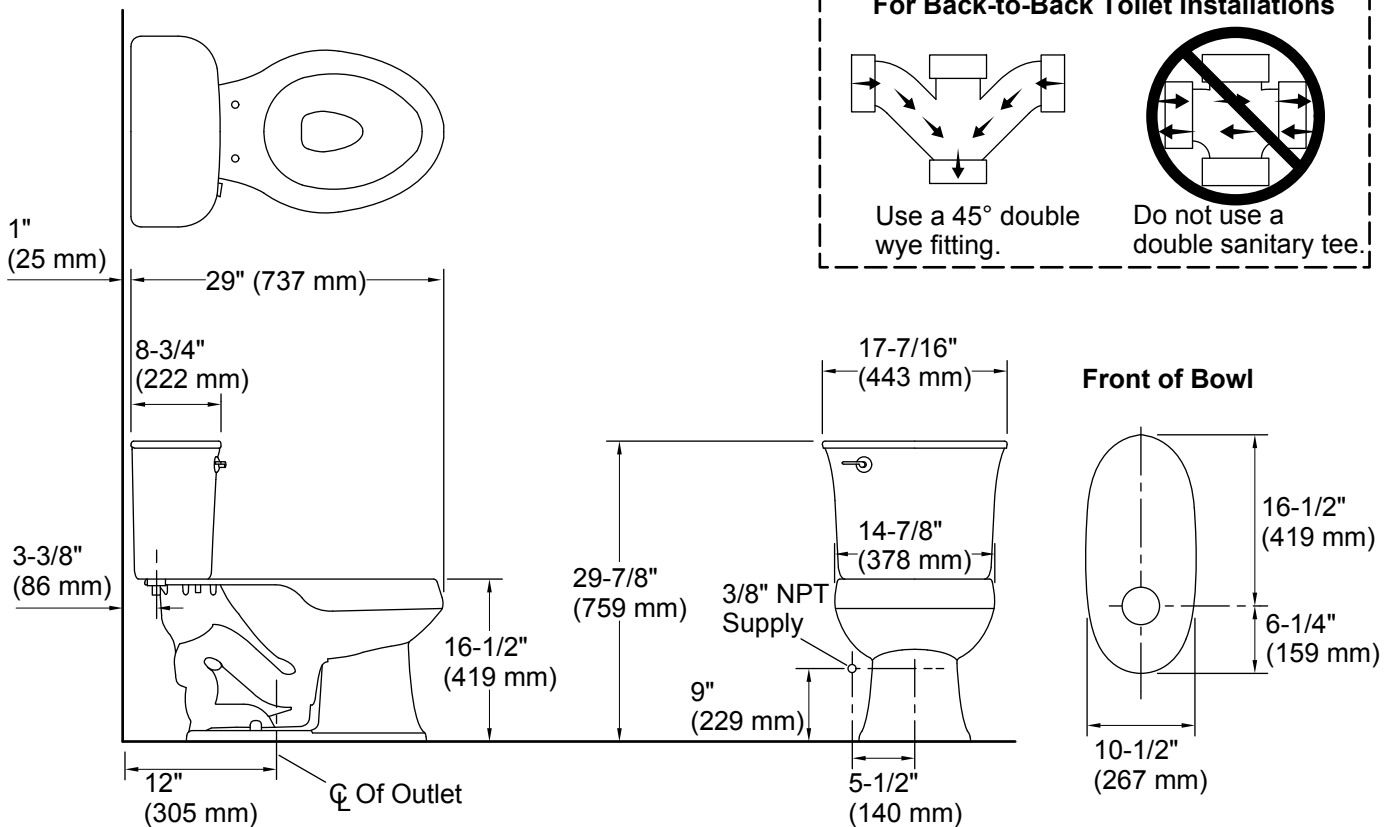
Color	Code	Description
	0	White
	96	KOHLER Biscuit

1-800-STERLING (1-800-783-7546)

Kohler Co. reserves the right to make revisions without notice to product specifications.

For the most current Specification Sheet, go to www.sterlingplumbing.com.

4-25-2019 21:56 - US



Technical Information

All product dimensions are nominal.

Toilet type: Two-piece, Floor-mount
 Waste Outlet: Floor
 Bowl shape: Elongated
 Flush type: Gravity siphon rim jet
 Trap passageway: 2" (51 mm)
 Water Consumption Full: 1.6 gpf (6 lpf)
 Water surface size: 8" x 9" (203 mm x 229 mm)
 Rough-in: 12" (305 mm)
 Seat-mounting holes: 5-1/2" (140 mm)

Notes

Install this product according to the installation instructions.
 Measure your actual product for roughing-in details.
 ADA, OBC, CSA B651 compliant when installed to the specific requirements of these regulations.
 Plumbing codes may require elongated toilets and elongated, open-front seats in public bathrooms.
 Accessibility standards may require controls to be located on the open side of the toilet.