



# Rockton® Comfort Height®

## Dual Force® Toilet

### 402088

#### Features

- Two-piece design
- 12" rough-in
- Elongated bowl
- Comfort Height
- Choice of 0.8 gallon flush for liquid or light waste and 1.6 gallon flush for bulk or solid waste
- Dual Force flushing technology
- LEED-compliant

#### Recommended Products/Accessories

- K-4636 Cachet® Quiet-Close™ Elongated Toilet Seat
- K-5588 Purefresh® Elongated Toilet Seat
- K-4108 C3®-230 Elongated Cleansing Toilet Seat
- K-5420 Low-Profile Bolt Caps

#### Included Components

Product consists of:

- 402022 Toilet Tank
- 402086 Toilet Bowl

Additional Components:

- Bolt caps (pair)
- Tank cover
- tank hardware accessory pack
- trip lever



#### Codes/Standards



- ASME A112.19.2/CSA B45.1
- DOE - Energy Policy Act 1992
- EPA WaterSense®
- California Energy Commission (CEC)

#### STERLING® Warranty - Toilets and Lavatories

See website for detailed warranty information.

#### Available Colors/Finishes

*Color tiles intended for reference only.*

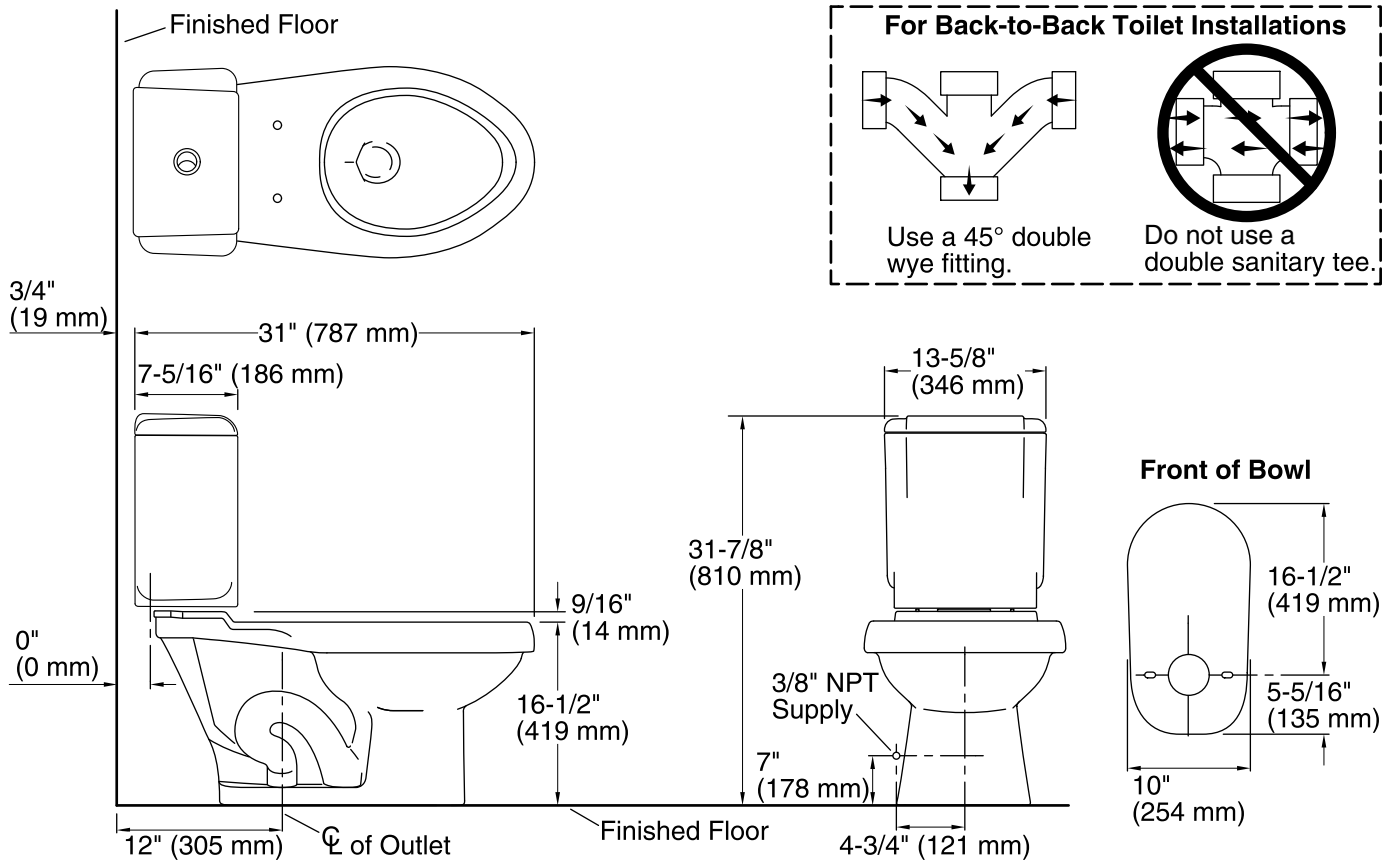
Color	Code	Description
	0	White
	96	KOHLER Biscuit

1-800-STERLING (1-800-783-7546)

Kohler Co. reserves the right to make revisions without notice to product specifications.

For the most current Specification Sheet, go to [www.sterlingplumbing.com](http://www.sterlingplumbing.com).

4-25-2019 21:54 - US



**Technical Information**

All product dimensions are nominal.

- Toilet type: Two-piece, Floor-mount
- Waste Outlet: Floor
- Bowl shape: Elongated
- Trap passageway: 2-1/2" (64 mm)
- Water Consumption
  - Full: 1.6 gpf (6 lpf)
  - Reduced: 0.8 gpf (3 lpf)
- Water surface size: 4-1/2" x 5-3/4" (114 mm x 146 mm)
- Rough-in: 12" (305 mm)
- Seat-mounting holes: 5-1/2" (140 mm)

**Notes**

- Install this product according to the installation instructions.
- Measure your actual product for roughing-in details.